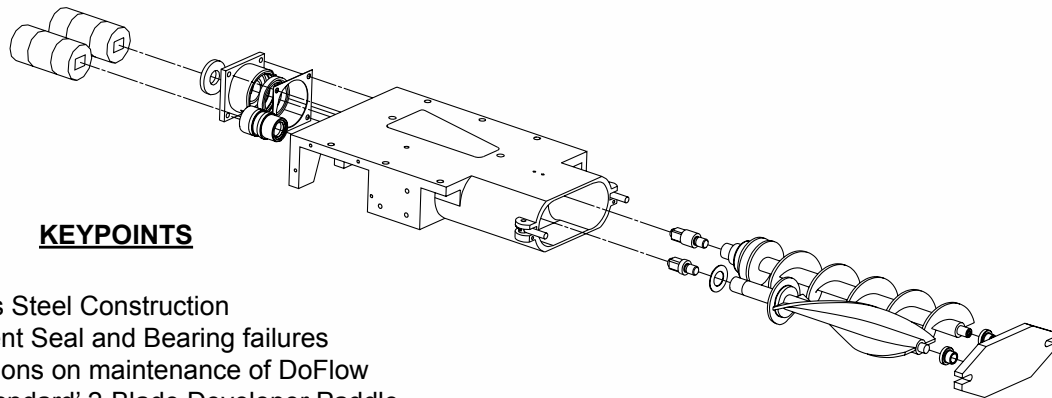


Upgrade Kit: DoFlow Developer Paddle & Screw Conversion Kit



Part Number	Kit Description	Availability	Price
32524-615	DoFlow Paddle & Screw Conversion Kit	4-6 Weeks	Call for Quote

This upgrade kit is designed to prevent seal and bearing failure and greatly reduce overall maintenance of the DoFlow Unit. This upgrade will greatly improve the service life of bearings, seals and all effected components of the DoFlow. This kit references 2004-2006 machines with Auger Assemblies #43050031 and Developer Assemblies #43050024 for recommended upgrading.



KEYPOINTS

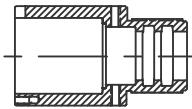
- All Stainless Steel Construction
- Helps prevent Seal and Bearing failures
- Cost reductions on maintenance of DoFlow
- Kit uses 'Standard' 2-Blade Developer Paddle
- Optional 4-Blade version is available at an upcharge

KIT INCLUDES

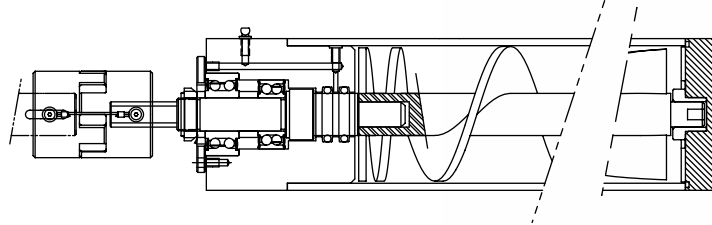
- DoFlow Coupling Assemblies
- Flanged Bearings
- Developer Assembly Components
(Paddle, 08' Packing Housing, Washer Return Screw, Drive Stub Shaft)
- Feed Screw Assembly Components
(External Seal, Dual Lip Seal, #3724 Feed Screw, Gasket, Drive (Incorporator), Bearing Assembly)

Applications Recommended for Conversion

This kit serves to convert 04'-06' DoFlow-equipped machines from alternate paddle and screw designs to current, more efficient 2008 design. Machines with Developer Paddle, Screw, Bearing, Seal & Packing Glands like these shown below and others made prior to 2006 will see great improvements in overall DoFlow performance by upgrading to this conversion kit.

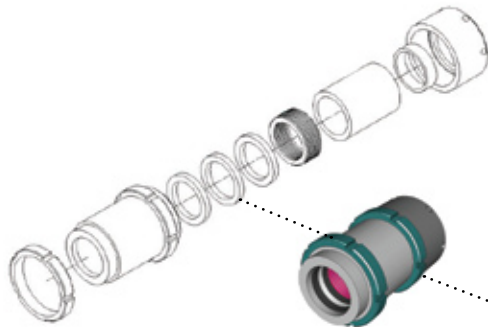


Housing, Developer Seal part #33050-325



DoFlow Auger Seal Assembly part #43050-031

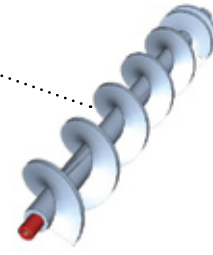
New and Improved DoFlow Conversion Kit



Packing Housing Assembly 2008
part #32524-268



Feed Screw Bearing Assembly
part #42520-010



#3724 Screw (Feed), DoFlow
part #37220-052

Developer Paddle, Electric DoFlow Assembly
part #37221-252 (Optional 4-Blade version also available.)

AMF offers several kits and upgrades to improve the reliability and performance of your machinery.

**Ask about our new "Quick Clean" Manifolds for quality AMF Bun Dividers.
Call Today For More Information!

AMF - Your Total Solutions Provider.

Headquarters:

2115 W. Laburnum Ave.
Richmond, Virginia 23227
Tel: 1-800-225-3771
or 1-804-355-7961
Fax: 1-804-342-9724
sales@amfautomation.com

Europe Office:

West Park Ring Road
Leeds LS16 6QQ
England
Tel: 44-1132-787110
Fax: 44-1132-741415
sales-europe@amfautomation.com

Asia Office:

Room 801 A-Building
Thunis Dev. Building
No. 11 Hui Xin East St.
Chaoyang District
Beijing, China 100029
Tel: 86-10-64823613
Fax: 86-10-64934259
sales-asia@amfautomation.com

FOR MORE INFORMATION PLEASE CALL YOUR ACCOUNT MANAGER OR

1-800-BAKERS-1
www.amfbakery.com

AMF's focus on continuous improvement may result in changes to machinery specifications without notice.