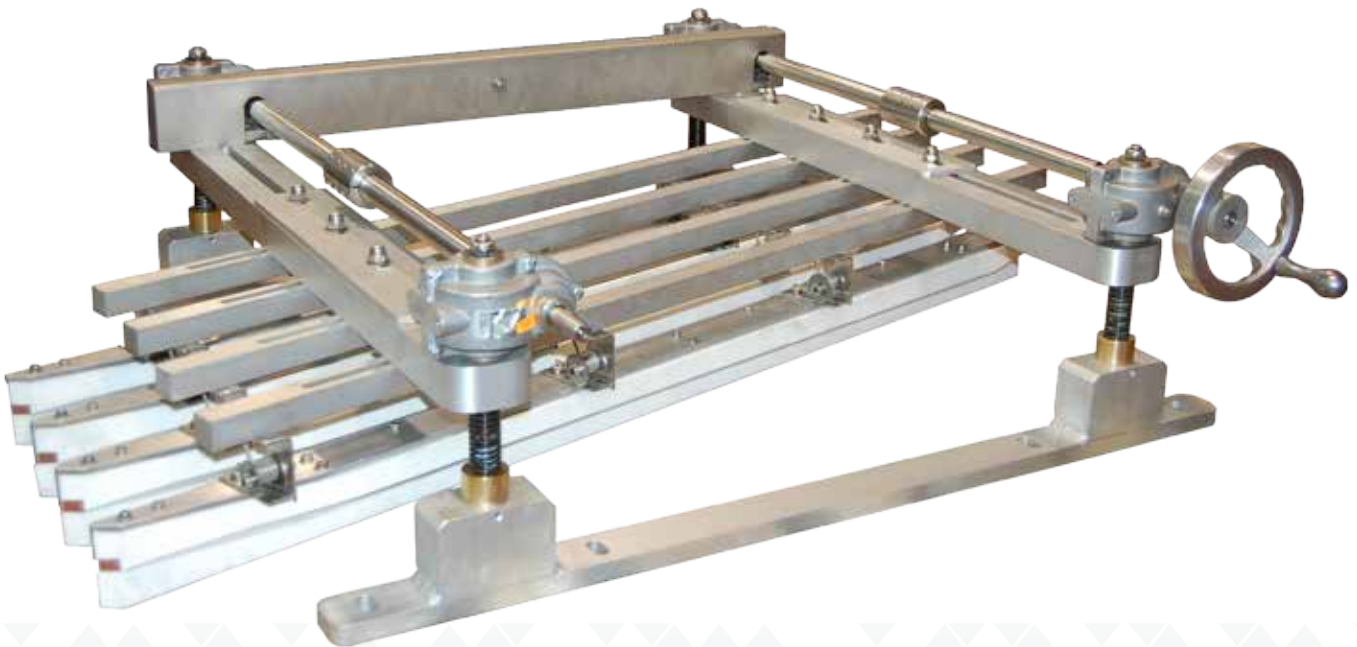




Your bakery is our world.

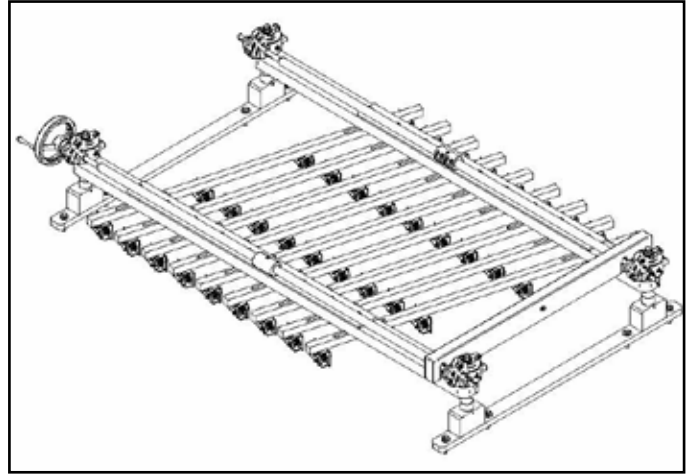
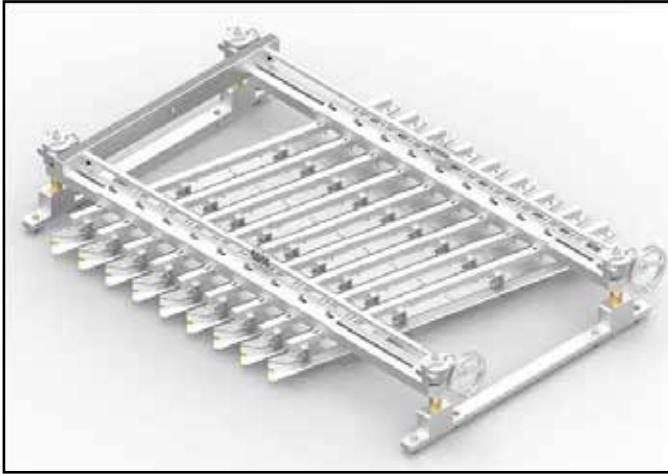
Adjustable Rounder Bar Assembly Upgrade Kit

Adjust rounder bar angle to accommodate wider range of stiff dough ball production



- Designed to provide higher flexibility in dough ball production for existing AMF Bun or Tortilla Rounders
- Recommended for use with wide range of stiff dough products
- Available in 4, 6, 8 and 9-across width configurations
- No loose parts that can get lost and cause damage
- Achieve higher degree of control for dough piece rounding
- Increases capability to control wide range of stiff dough pieces
- Ease of adjustability via operator hand-crank

Adjustable Rounder Bar Assembly Upgrade Kit



9-Across Assembly Shown for Reference Only

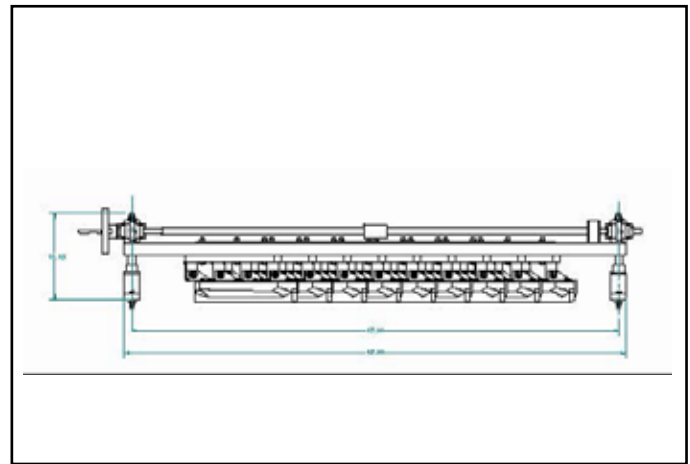
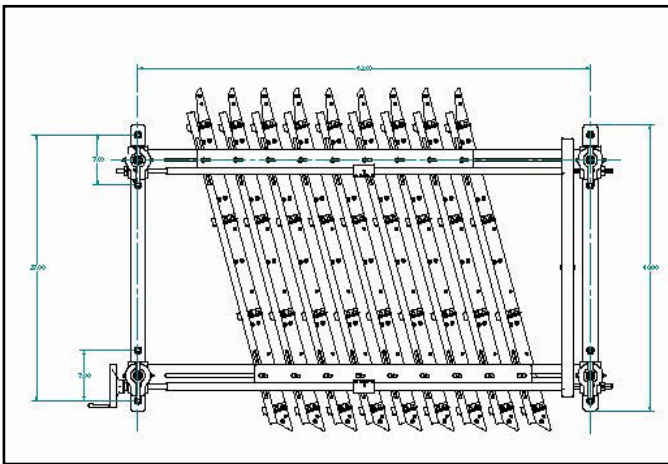
MECHANICAL FEATURES

- Robust design with materials approved for direct food contact
- Heavy duty right-angle gearboxes for vertical adjustments
- Multi-adjustable bars and mountings included



RECOMMENDED APPLICATIONS

- Kit recommended only for stiff dough applications such as tortilla or low-absorption dough production



(9-across assembly shown for reference-only) Dimensions will vary depending on machine width and configuration
 Note: Adjustable rounder assembly is fixed-mount with vertical height adjustment capability-only. Does not hinge/lift open like typical rounder bar lift assemblies.