



Bun Imprinter Kits

The Very Best In Dough Imprinting Technology.



- 4, 6 OR 8 ACROSS WIDTH AVAILABLE
- RANDOM OR REGISTERED MODELS AVAILABLE

Features:

- ✓ **Heavy Duty Construction**
- ✓ **Easy to Use Controls**, No Compressed Air Required
- ✓ **Integrated Sifter Provides Worry Free Performance**
- ✓ **High Speed Bun and Roll Imprinting**
- ✓ **FDA-Approved Materials for Sanitary Design**



Random "Tread" Pattern
Bun After Baking



Registered "Star" Pattern
Bun After Baking

Headquarters:
2115 W. Laburnum Ave.
Richmond, Virginia 23227
Tel: 1-800-225-3771
or 1-804-355-7961
Fax: 1-804-342-9724
sales@amfbakery.com

Europe Office:
6 The Sidings
Station Road, Guiseley
Leeds LS20 8BX, England
Tel: 44-1943-875703
Fax: 44-1943-871806
sales-europe@amfbakery.com

Asia Office:
2102B, B-Bldg.
No.3 Estate Mansion
No.1 Shuguangxili Rd.
Beijing, China 100028
Tel: 010-58222949
Fax: 010-58222952
sales-asia@amfbakery.com

FOR MORE INFORMATION PLEASE CALL YOUR ACCOUNT MANAGER OR

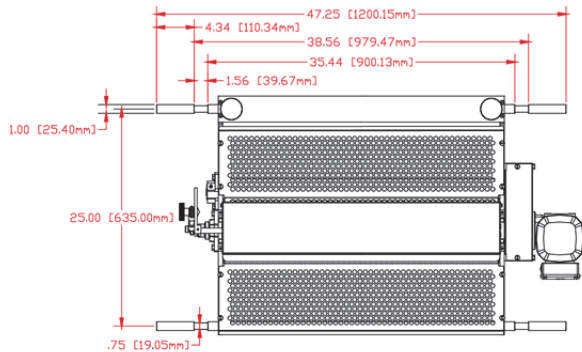
1-800-BAKERS-1
www.amfbakery.com

AMF's focus on continuous improvement may result in changes to machinery specifications without notice.

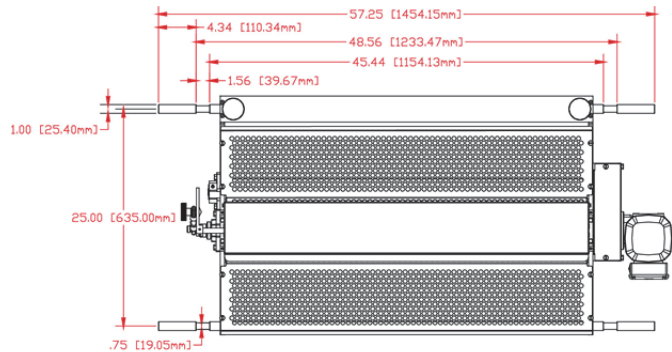
AMF is a Markel Bakery Group Company



BUN IMPRINTER ASSEMBLY DIMENSIONS



4 ACROSS FRAME - LH OPERATOR



6/8 ACROSS FRAME - LH OPERATOR

BUN IMPRINTER SPECIFICATIONS



CUSTOM DIE PATTERNS AVAILABLE UPON REQUEST



Headquarters:
2115 W. Laburnum Ave.
Richmond, Virginia 23227
Tel: 1-800-225-3771
or 1-804-355-7961
Fax: 1-804-342-9724
sales@amfbakery.com

Europe Office:
6 The Sidings
Station Road, Guiseley
Leeds LS20 8BX, England
Tel: 44-1943-875703
Fax: 44-1943-871806
sales-europe@amfbakery.com

Asia Office:
2102B, B-Bldg.
No.3 Estate Mansion
No.1 Shuguangxili Rd.
Beijing, China 100028
Tel: 010-58222949
Fax: 010-58222952
sales-asia@amfbakery.com

FOR MORE INFORMATION PLEASE CALL YOUR ACCOUNT MANAGER OR

1-800-BAKERS-1
www.amfbakery.com

AMF is a Markel Bakery Group Company

AMF's focus on continuous improvement may result in changes to machinery specifications without notice.