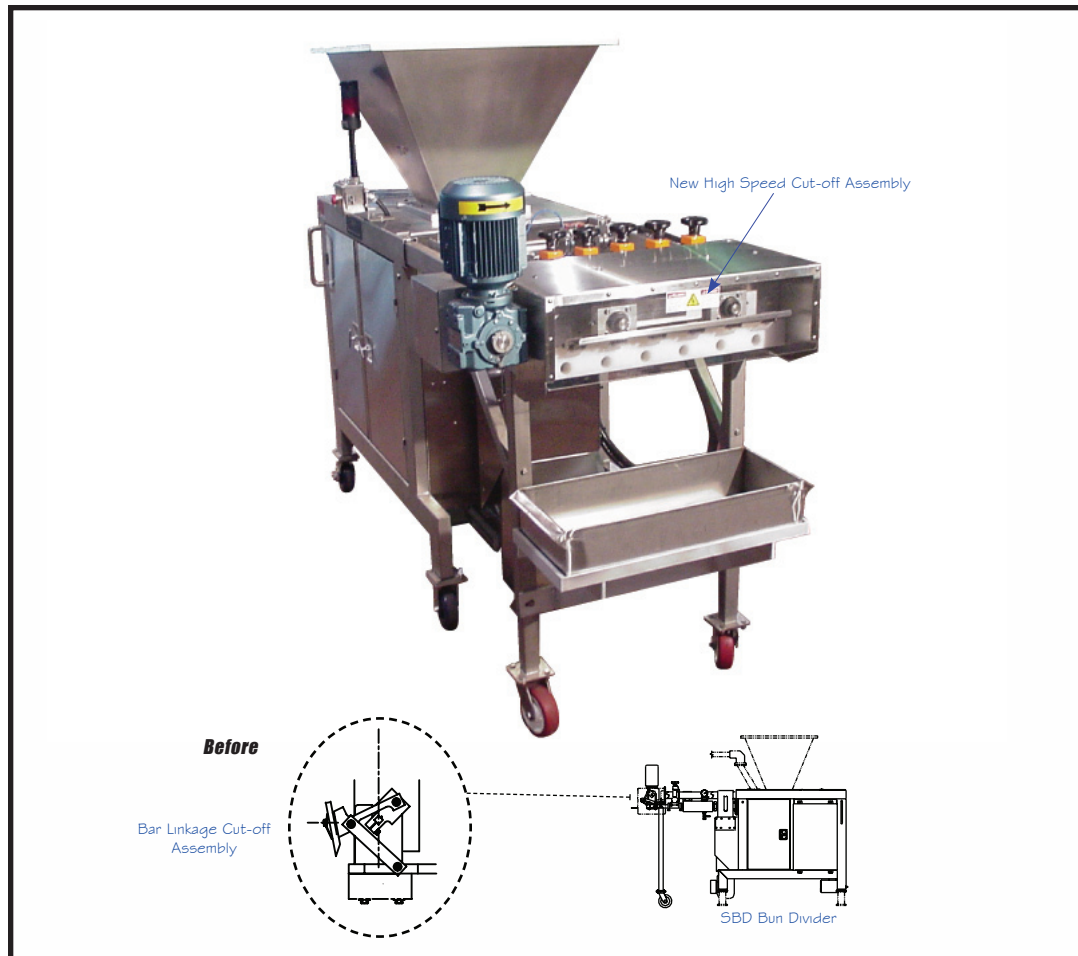


High Speed Cut-Off Assembly Upgrade



- ▼ **Significantly improve performance on any bun divider currently using the four-bar linkage cutoff.**
- ▼ **Timing belt driven assembly delivers smooth and efficient performance with speeds up to 135 cuts-per-minute.**
- ▼ **Eliminates bushing wear and the high maintenance of the four-bar linkage setup.**
- ▼ **Upgrades available for four, six and eight across SBD Bun Dividers.**

Figure 2 - The High Speed Cut-Off Assembly,

Mechanical Specifications

- Drive Pulleys
- Drive belt
- Knife mounting bracket with six cut-off knives
- 1.5 HP Gearmotor
- Cut-off block & cut-off guard
- New drawer slide weldment
- All existing controls for divider will be used to control this new knife kit
- New proximity sensor will be provided for the cut-off and proofer

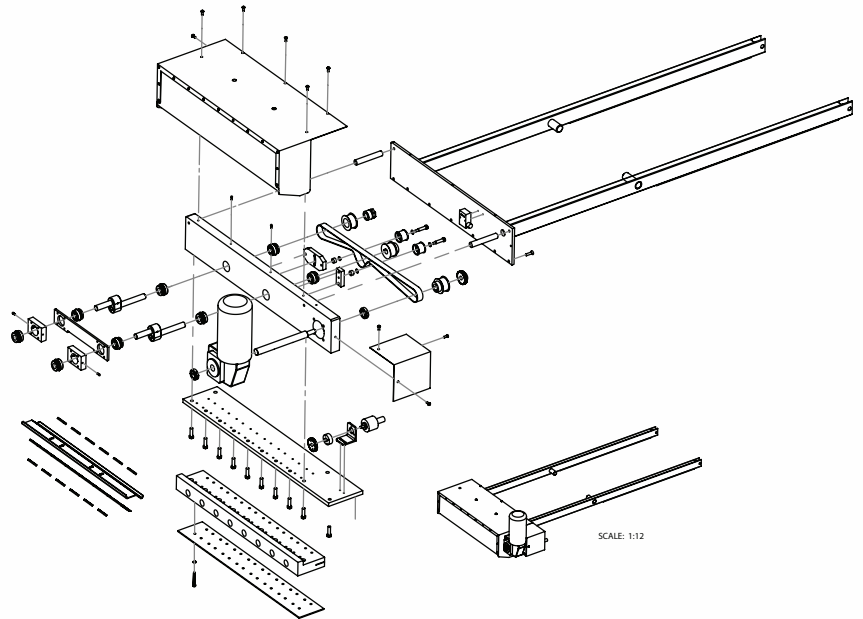
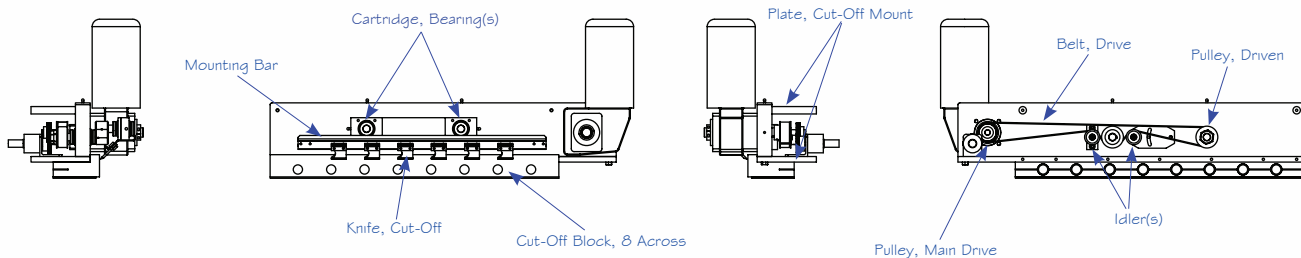


Figure 3 (Drive Assembly illustration)



NOTE: GUARDS AND DRAWER SLIDE WELDMENT ARE NOT SHOWN FOR CLARITY.

Installation

- ▼ Recommended installation by AMF Service Technician
- ▼ No modification required

Please specify for right handed or left handed divider (Looking from behind the divider with the product going away from you would be on the right handed side).

Headquarters:
 2115 Laburnum Ave.
 Richmond, Virginia 23227
 Tel: 1-800-255-3771
 or 1-804-355-7961
 Fax: 1-804-342-9724
sales@amfbakery.com

Europe Office:
 6 The Sidings,
 Station Road, Guiseley
 Leeds LS20 8BX
 England
 Tel: 44 (0) 1943 875703
 Fax: 44 (0) 1943 871806
sales-europe@amfbakery.com

Asia Office:
 Room 15-2, A-Building,
 Thuniss Dev. Building,
 No.11 Hui Xin East Street,
 Chaoyang District
 Beijing, China 100029,
 P.R. China
 Tel: 86-10-64823613
 Fax: 86-10-64934259
sales-asia@amfbakery.com

FOR MORE INFORMATION PLEASE CALL YOUR ACCOUNT MANAGER OR

1-800-BAKERS-1

www.amfbakery.com

AMF's focus on continuous improvement may result in changes to machinery specifications without notice.