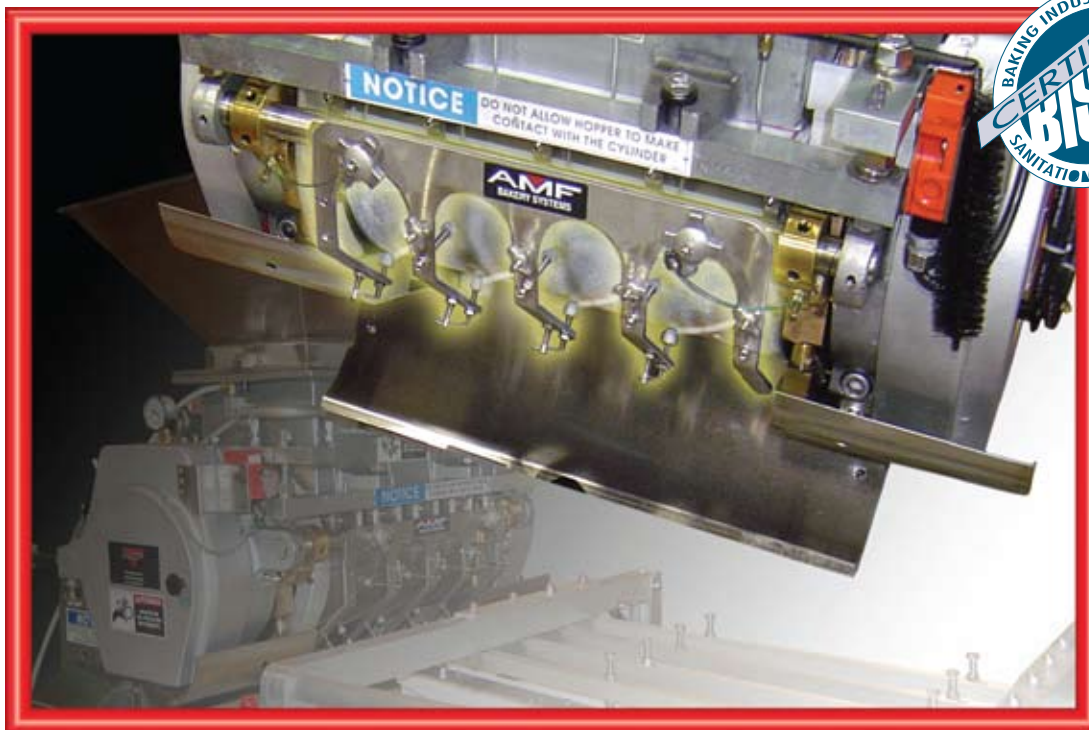


AMF

K-Head Quick Change Cut-off Kit

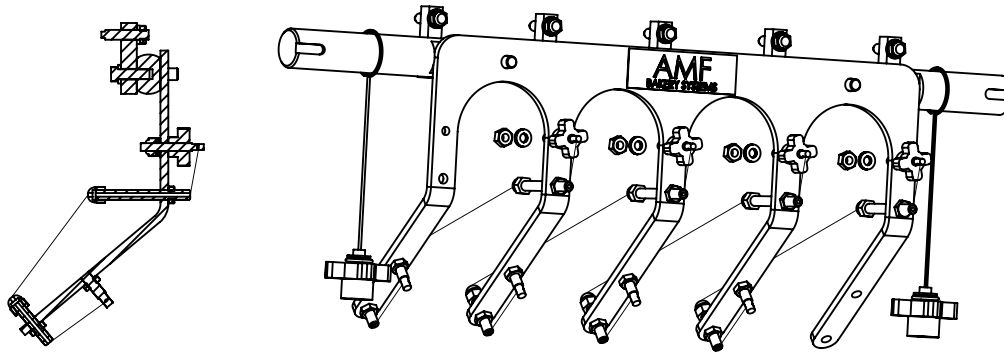


“AMF again brings the best to you. Eliminate downtime associated with broken cut-off wires on your K-Head with AMF’s latest improvement!”

- ▼ Quick change design allows you to change the cut-off assembly in less than a minute
- ▼ Lightweight, stainless steel unibody construction for easy handling and durability
- ▼ Precision individual wire tensioning adjustment for accurate product release
- ▼ Easy and quick installation on existing K-Heads
- ▼ Replace broken wires offline, with no downtime



Technical Drawings



*Kits available for K-400 Divider Head and K-600 Divider Head

Kit No. 44650-455 (shown)

Each Kit Includes:

- Two (2) Wire Cut-off Bracket Assemblies
- Front support bar with mounting hardware
- Two (2) mounting knobs with cable retainers
- Spool of cut-off wire
- Wall mounted hanger for spare cut-off bracket and wire

Optional:

- Additional Wire Cut-off Assembly
- Spare Parts Kit

Installation:

- Installs in less than three hours
- No cutting or welding or modification to K-Head required
- Custom designed for each K-Head model (400 or 600)
- Complete detailed installation instructions provided

Ordering Information:

| Part No. | Description |
|-----------|--|
| 44650-455 | Quick Change K-Head Cut-off Kit, K-400 |
| 44650-454 | Quick Change K-Head Cut-off Kit, K-600 |
| 44650-456 | Spare Wire Cut-off Assembly, K-400 |
| 44650-457 | Spare Wire Cut-off Assembly, K-600 |
| 37231-057 | Spool of Cut-off Wire |
| 44650-458 | Quick Change K-Head Cut-off Spare Parts Kit, K-400 |
| 44650-459 | Quick Change K-Head Cut-off Spare Parts Kit, K-600 |

***Ask about our
Electronic Do-Flow Upgrade
for the K-Head Divider.



Headquarters:

2115 W. Laburnum Ave.
Richmond, Virginia 23227
Tel: 1-800-225-3771
or 1-804-355-7961
Fax: 1-804-342-9724
sales@amfautomation.com

Europe Office:

West Park Ring Road
Leeds LS16 6QQ
England
Tel: 44-1132-787110
Fax: 44-1132-741415
sales-europe@amfautomation.com

Asia Office:

Room 801 A-Building
Thunis Dev. Building
No. 11 Hui Xin East St.
Chaoyang District
Beijing, China 100029
Tel: 86-10-64823613
Fax: 86-10-64934259
sales-asia@amfautomation.com

FOR MORE INFORMATION PLEASE CALL YOUR ACCOUNT MANAGER OR

1-800-BAKERS-1
www.amfbakery.com