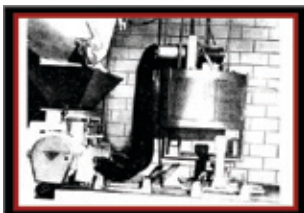
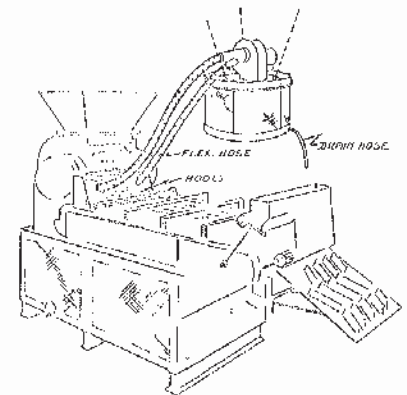
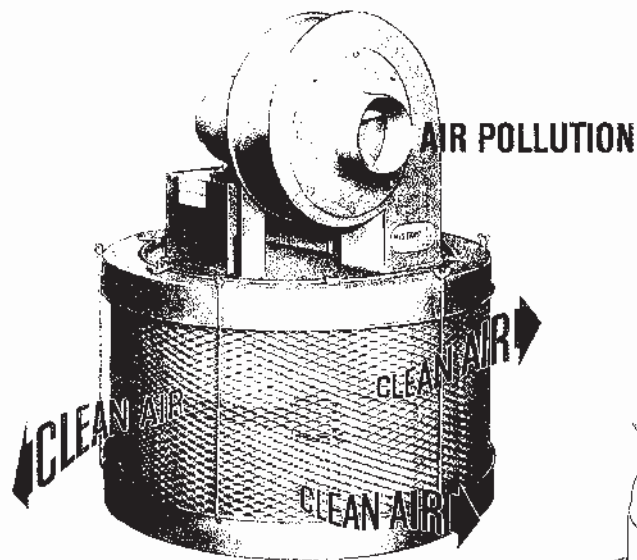


AMF

Mist Collector Kit for K-400, K-600 Dividers

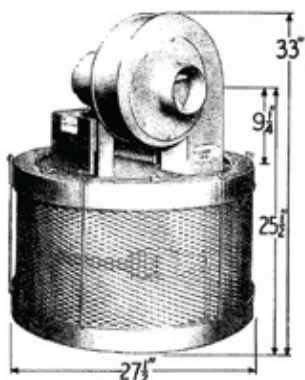


Provides a cleaner and safer operating environment.

- ▼ *Stop divider oil pollution in your bakery with the Mist Collector Kit from AMF.*
- ▼ *Collect the oil mist emitted by the Model K Divider Head Oiling System.*
- ▼ *Oil is filtered out of the air and clean air is returned to the operating environment. Cleaner and Safer.*

Dimensional Drawings

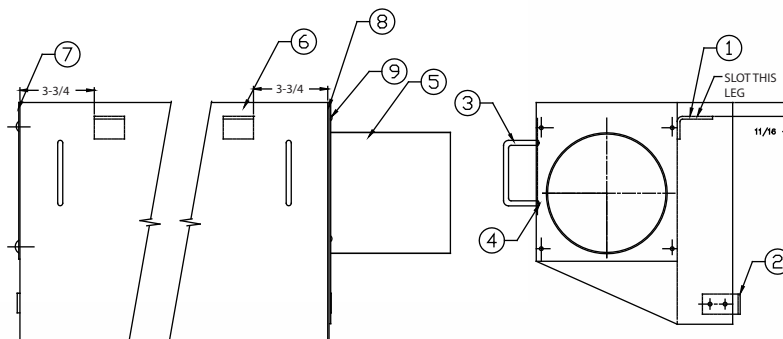
Mist Collector Unit



*Comes Preassembled

*Recommended mounting position 36" above K-Roll Rounder Bed and approx. 36" away from the face of the K-Head

Mist Collector Hood Assembly - 400

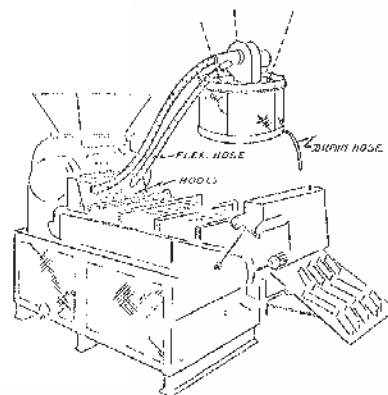


Note:
Hood as shown is for RH Rounder
Assemble items 5 and 8 on
opposite end for LH Rounder.

9		22914013	12	Pop Rivet	
8	B	598603	1	Cover Plate	
7	B	598602	1	Cover Plate	
6	C	598581	1	Mist Collector Hood	
5	B	598611	1	Hood Plate	
4		04140-019	4	8-32 x 5/16 Truss HD SCR	
3		22967879	2	Handle	
2	B	598614	2	Stop Tab	
1	B	599974	2	Hood Tab	
Item	Commercial Number	Qty	CS# Number	Qty/CS#	Description

Equipment Included with Kit

- Mist Collector Unit
- Mist Collector Hood Assembly
- 6" Diameter Mist Collector Hose w/Clamps
- Mist Collector Bracket
- Flexible Hose
- Mounting Hardware (Hood)
- Aerocology Mount (4 or 6 across)
- One FM-1 secondary filter (attached to unit)
- Replacement filters (2)



Mist Collector Kits

00702714 400 Mist Collector for MK Head
 00702715 400 Mist Collector for K Head
 00702716 600 Mist Collector for MK Head
 00702717 600 Mist Coll., K Head
 00702718 400 Mist Collect, K Head, 380V-60
 00702719 Mist Collect, K 400 QC Cutoff
 00702724 400, 600 Brwn & Srv Option

00702744 400 Mist Collector F/Univ Head
 00702746 600 Mist Collector F/Univ Head
 00702800 400/600 Volt Opt for Opt Fea.
 00702801FA SBS/POMPlus Solenoid Fea. - SMC
 00702802 Solenoid Feat., 120V W/PIAB
 00702803 Solenoid Feat., 120V W/Out PIAB

Headquarters:

2115 W. Laburnum Ave.
 Richmond, Virginia 23227
 Tel: 1-800-225-3771
 or 1-804-355-7961
 Fax: 1-804-342-9724
sales@amfautomation.com

Europe Office:

West Park Ring Road
 Leeds LS16 6QQ
 England
 Tel: 44-1132-787110
 Fax: 44-1132-741415
sales-europe@amfautomation.com

Asia Office:

Room 801 A-Building
 Thunis Dev. Building
 No. 11 Hui Xin East St.
 Chaoyang District
 Beijing, China 100029
 Tel: 86-10-64823613
 Fax: 86-10-64934259
sales-asia@amfautomation.com

FOR MORE INFORMATION PLEASE CALL YOUR ACCOUNT MANAGER OR

1-800-BAKERS-1
www.amfbakery.com