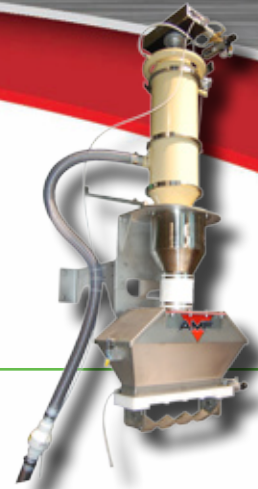


AMF

Flour Sifter Assembly & Reclaim Upgrade Kit



- ▼ *Improve the quality of your products with the AMF Adjustable Flour Sifter Assembly.*
- ▼ *Greatly improve ingredients handling and efficiency standards with the Premiere Flour Reclaim Unit.*
- ▼ *Your choice of a Pneumatically Controlled Sifter Assembly or Electric DC Motor Controlled Sifter Assembly.*



Mechanical Features

▼ Sifter Assembly

- Designed and manufactured in accordance with BISSC Standards.
- Stainless Steel Hopper Assembly with Dual EZ-Open Hopper Door assemblies for easy manual filling/cleaning.
- Stainless Steel Sifter Screens, optional mesh screen sizes available to accommodate many sifting applications.
- Adjustable Sifter Gates

Vacuum Loader Unit

- Optional Premiere Vacuum Loader Units available with sifter assembly kit .
- Automatic Level Sensor maintains optimum hopper levels.
- Lightweight Aluminum Construction (Main Body).
- PIAB Vacuum Pump
- Inlet section has Stainless Steel Liner.
- Solenoid Controlled Air Intlet.

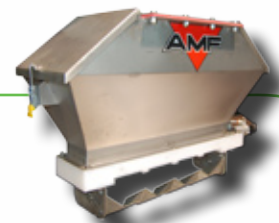
Specifications

▼ Pneumatic Sifters

- Standard 4 across sifter (approx. 11 ¼ (L) x 28 ¾ (W) (Pneu.)
- Standard 6 across sifter (approx. 11 ½ (L) x 36 ¾ (W) (Pneu.)
- Standard 8 across sifter (approx. 11" (L) x 38 ¼ (W) (Pneu.)

Moulder Sifters

- Various widths available to accommodate Pan-O-Mat 410,610,ABS/POM Plus Bun Systems.



Mechanical Options

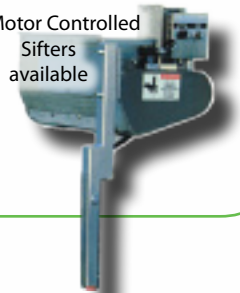
▼ Sifter Only Kits

- Sold with or without mounting hardware.
- Specify the machine width and other specifications from our *Sifter Kit Ordering Guide*. (ask your Inside Sales Representative)
- Optional Controls: Pnuematic Pulse or DC Motor controlled sifting action.
- Optional: Sifter Screen sizes may vary depending on flour type and usage.

Sifter-Sifter Reclaim Kits

- Available for Pan-O-Mat 410, 610, ABS/POM+, 4 across, 6 and 8 across.
- Sifter Flange size may vary depending on style of sifter and choice of Vacuum Loader or existing reclaim application.

DC Motor Controlled
Sifters
available



Electrical Control Options

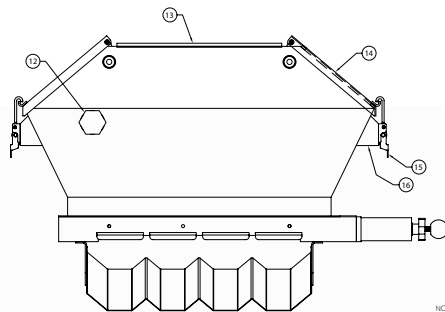
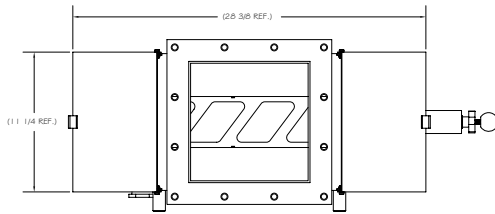
▼ Sifter Kits can be supplied with or without Electrical Controls. If the full kit option is selected, we will supply all electricals including the control box for the upgrade.

- Option includes controller, selector switch(es) and control wiring.

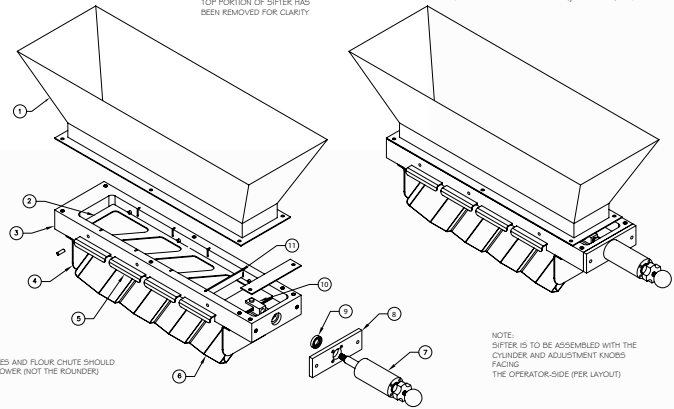


Dimensional Drawings

SIFTER ASSEMBLY / PREMIERE RECLAIM, 4-ACROSS PNEUMATIC KIT



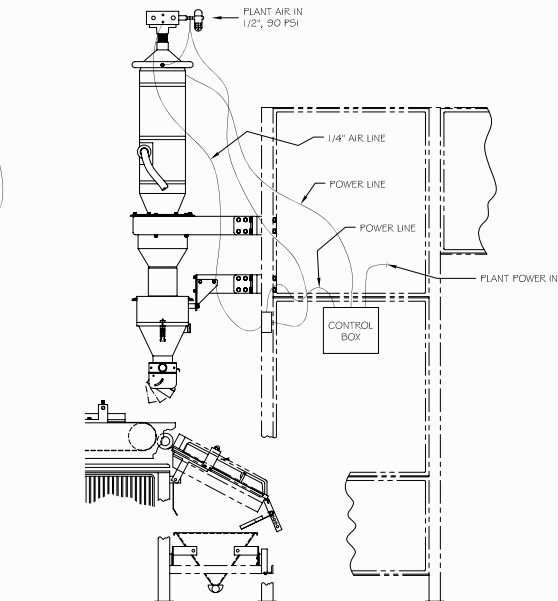
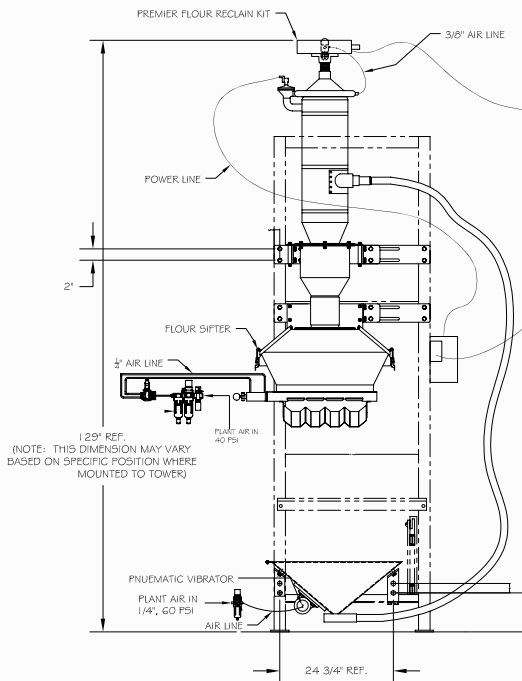
NOTE:
SIFTER GATES AND FLOUR CHUTE SHOULD
FACE THE TOWER (NOT THE ROUNDERS)



NOTE:
TOP PORTION OF SIFTER HAS
BEEN REMOVED FOR CLARITY

1. HOPPER, 4X TOWER SIFTER
2. SCREEN ASSEMBLY, SIFTER, TOWER, 4X
3. SIFTING BOX, 4X PNEUMATIC SIFTER
4. SUPPORT, FLOUR CHUTE
5. GATE, SIFTER
6. SIFTER CHUTE, 4X
7. CYLINDER, 1-1/2" X 1" STROKE
8. MOUNT PLATE, CYLINDER
9. LIP SEAL, 5/8" SHAFT, 1-1/8" BORE
10. CLEVIS, PISTON ROD
11. DAFFLE, SIFTER
12. PLUG
13. GASKET, TOWER SIFTER
14. SIFTER DOOR WELDMENT, 4X
15. ADJ. DRAW LATCH, ZP, VINYL-HANDLE
16. MOUNTING BLOCK, SIFTER LATCH

NOTE:
SIFTER IS TO BE ASSEMBLED WITH THE
CYLINDER AND ADJUSTMENT KNOBS
FACING
THE OPERATOR-SIDE (PER LAYOUT)



Headquarters:
2115 Laburnum Ave.
Richmond, Virginia 23227
Tel: 1-800-255-3771
or 1-804-355-7961
Tel: 1-804-342-9724
sales@amfbakery.com

Europe Office:
6 The Sidings,
Station Road, Guiseley
Leeds LS20 8BX
England
Tel: 44 (0) 1943 875703
Fax: 44 (0) 1943 871806
sales-europe@amfbakery.com

Asia Office:
Room 15-2, A-Building,
Thuniss Dev. Building,
No.11 Hui Xin East Street,
Chaoyang District
Beijing, China 100029,
P.R. China
Tel: 86-10-64823613
Fax: 86-10-64934259
sales-asia@amfbakery.com

FOR MORE INFORMATION PLEASE CALL YOUR ACCOUNT MANAGER OR

1-800-BAKERS-1

www.amfbakery.com

AMF's focus on continuous improvement may result in changes to machinery specifications without notice.