



Your bakery is our world.

# Combo Bread Slicer and Bagger

A combination bread slicer and bagger that improves packaging performance and reduces space requirements.



# DESIGN INNOVATIONS

With over 50 years of experience in packaging innovation, AMF's Combo Bread Slicer and Bagger offers maximum flexibility and reliability for a variety of breads, from standard loaves to fruited breads. With a consolidated footprint, the automatic band slicing and bagging combination reduces space requirements for pan baked breads up to 65 loaves per minute.

## SANITATION

In addition to the corrosion resistant stainless steel frame and guards, AMF's innovative self-supporting lattice pull-out mechanism option maximizes access for routine sanitation and maintenance.

## QUALITY

Automatic wicket exchanger allows wicket change without stopping the bagger. Bag over bread scoop system protects bags from crusty loaves minimizing damaged packages.

## RELIABILITY

The pendulum system eliminates the costly maintenance of scoop drive gearboxes due to its low rotary actuation resistance.

## SAFETY

The AMF bagger includes basic tunnel conveyor guarding as a standard for optimal operator safety. Blade break detection system and a high efficiency brake motor promptly stops the blades in emergency situations.



System Integration :  
Combo Slicer-Bagger  
with Slicer Feed Conveyor

## Efficiency Delivered Up to 65 LPM

# OTHER ADVANTAGES

- ▼ Chromed backing rollers maintain blade stability through slicing operation
- ▼ Safety broken blade detector bars ensure safe operation
- ▼ Optional 7.5 HP motor, steam cleaning system and drum scrapers available for fruit or gluten-free breads



Optional Flight Pusher Infeed



Cantilever Drum Design for Easy Blade Removal & Replacement

- ▼ Optional intermediate conveyor phase variator synchronizes the intermediate flights to scoop on the fly for maximum flexibility with loaf varieties
- ▼ Automatic dual wicket exchange system designed for U-shape bag wicket holders



Heavy Duty Self Supporting Stainless Steel Lattice Pull-out Mechanism



Automatic Dual Wicket Changer

- ▼ Discharge belt featuring patented flusher action eliminates the need of a flusher bar providing a smooth product transfer
- ▼ Optional extended 36" discharge conveyor
- ▼ Optional bag closure unit and printer



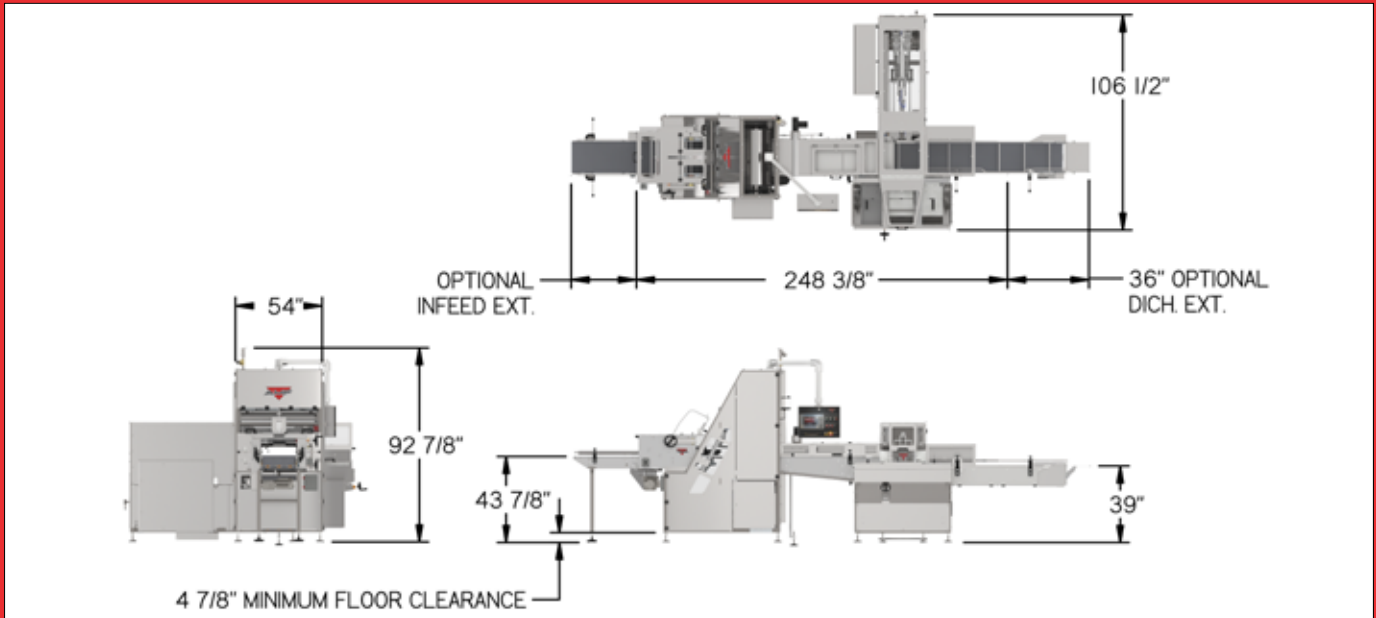
Pendulum Scoop Drive



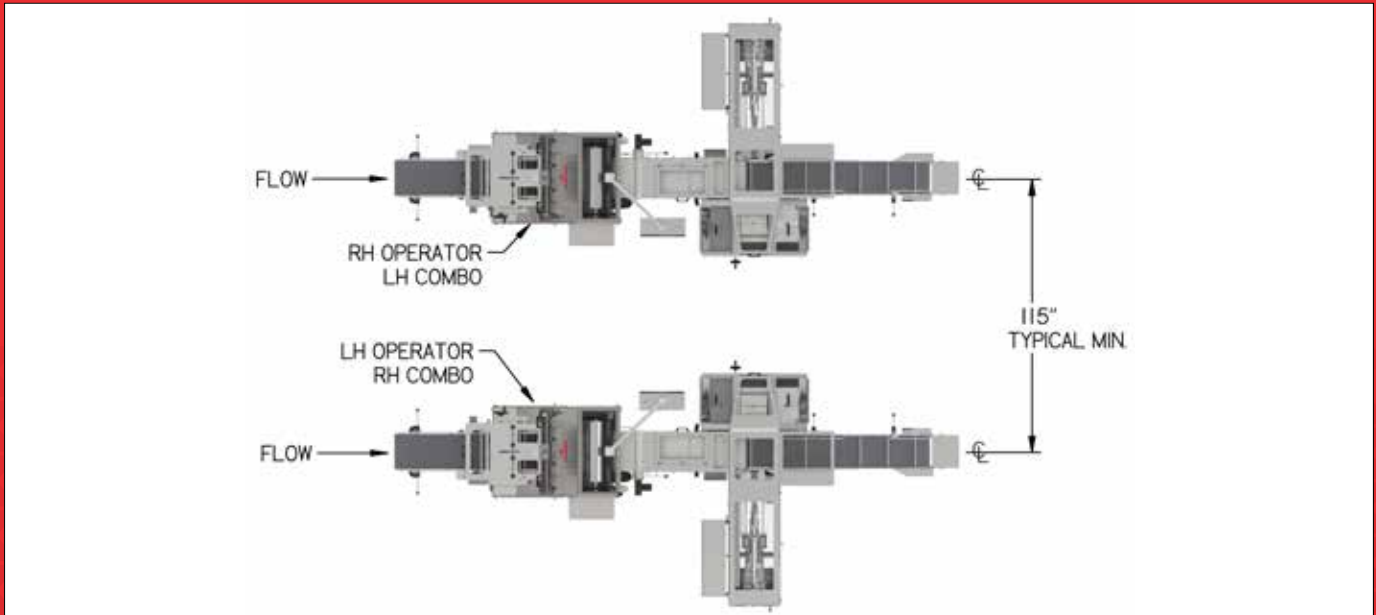
Flusher Action Discharge

- ▼ The Combo is available with different options to suit your product specifications
- ▼ Wide slicer model available for thicker sliced products

# DIMENSIONAL DRAWINGS



# LAYOUT HANDING



**AMF IS A MARTEL FOOD GROUP COMPANY**

AMF's focus on continuous improvement may result in changes to machinery specifications without notice.