



Your bakery is our world.

Saber 60 Band Slicer

High-quality bread slicing solution using the most reliable blade spacing system for a wide variety of loaves.



DESIGN INNOVATIONS

AMF's Saber 60 Band Slicer offers maximum flexibility and reliability for slicing a variety of breads. Using automatic electronic synchronization, the Saber 60 Band Slicer integrates seamlessly with AMF's complete bread packaging systems.

SANITATION

In addition to the corrosion resistant painted steel frame and stainless steel guards, AMF's innovative heavy duty lattice support frame maximizes access for routine sanitation and maintenance.

QUALITY

Featuring a Hansaloy heavy duty lattice, offering an adjustable slice range and multiple blade guide selections for optimal longevity and ultimate slicing quality.

SIMPLICITY

Available with a continuous infeed conveyor system, using positive high friction bottom and side drive surface guides for smooth operation and lower maintenance. New motors offer high crumb ingress protection for reliable service.

SAFETY

Featuring an improved safety guard complying with CSA and OSHA regulations, the blade break detection system and a high efficiency brake motor promptly stop the blades in emergency situations.

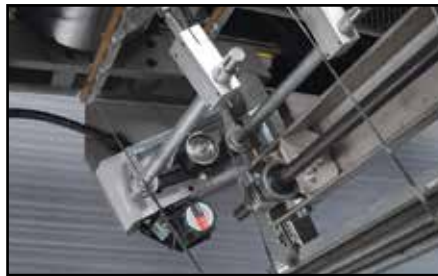


Saber 60 Band Slicer shown with Mark 60 Bread Bagger

Precision slicing
up to 60 LPM

OTHER ADVANTAGES

- ▼ Automatic double loaf eliminator and skip loaf device for efficient operation
- ▼ Optional automatic hone assembly ensure blades remain sharp at all times for maximum reliability
- ▼ Chromed backing rollers maintain blade stability through slicing operation
- ▼ Optional automatic oiling system optimizes blade performance and reduces maintenance
- ▼ Safety broken blade detector bars for safe operation
- ▼ Optional crumb blower improves loaf packaging quality
- ▼ Included internal lighting kit approved for food industry applications
- ▼ Automatic pneumatic blade tensioning system provides constant blade tension
- ▼ The Saber 60 Band Slicer is available with different options to suit your product specifications



Optional Automatic Hone Assembly



Optional Automatic Oiling System and Scraper



Safety Broken Blade Detector Bars



Heavy Duty Lattice Mechanism

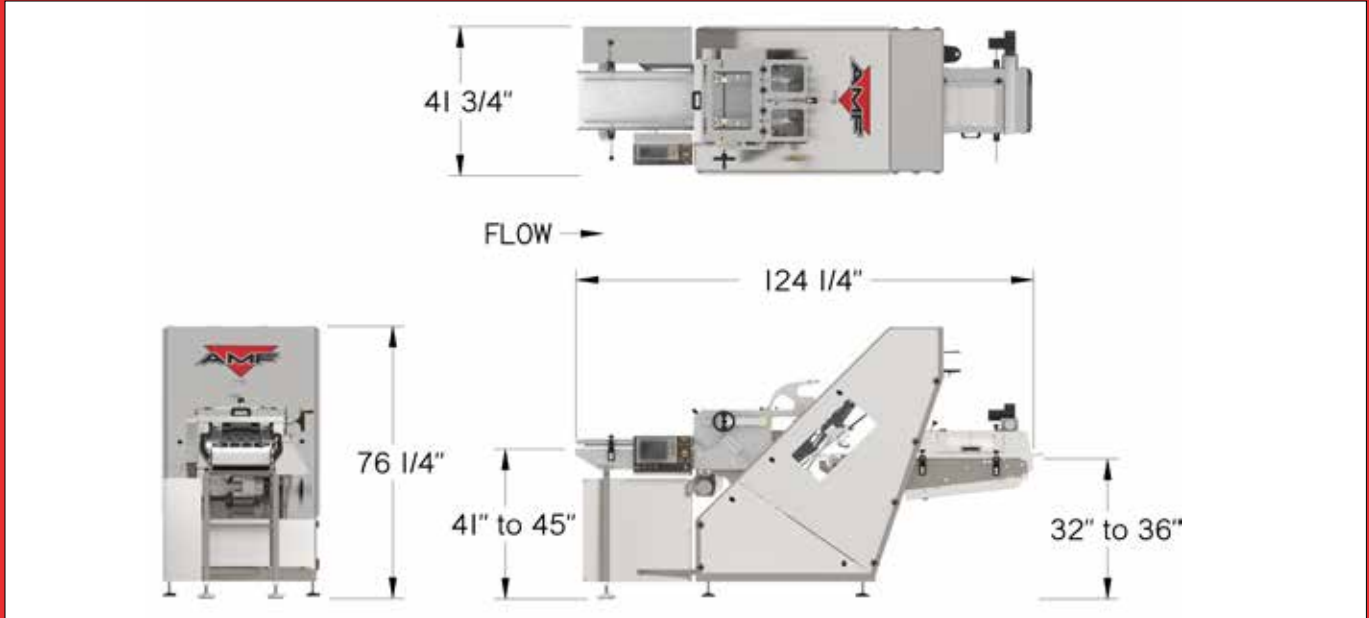


Last Loaf Pusher

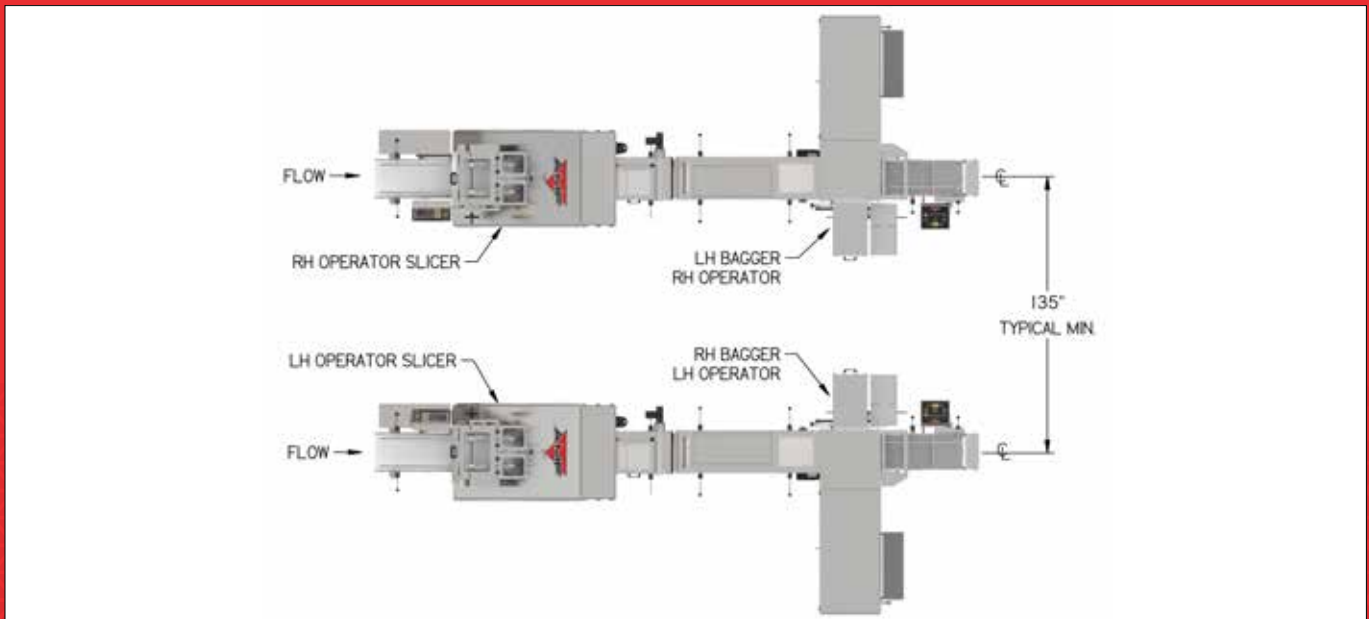


Optional Belt Infeed Conveyor

DIMENSIONAL DRAWING



LAYOUT HANDING



AMF IS A MARTEL FOOD GROUP COMPANY

AMF's focus on continuous improvement may result in changes to machinery specifications without notice.