



Your bakery is our world.

Saber 75 Band Slicer Wide Model

High-quality bread slicing solution using the most reliable blade spacing system for a wider variety of loaves.



DESIGN INNOVATIONS

With over 50 years of experience in slicing innovation, AMF's Saber 75 Band Slicer Wide Model offers maximum flexibility and reliability for slicing a variety of breads, from standard loaves to fruited breads, with slice thickness ranging from 3/8" to 1-1/4". Using electronic synchronization, the wide model, Saber 75 Band Slicer integrates seamlessly with AMF's complete packaging systems.

SANITATION

In addition to corrosion-resistant stainless steel frame and guards, AMF incorporates an innovative self-supporting lattice pull-out mechanism option to maximize access for routine sanitation and maintenance.

QUALITY

Hansaloy heavy-duty lattice offers an adjustable slice range and multiple blade guide selections, for optimal longevity and ultimate slicing quality. Blade spacing mechanism allows the lattice to open evenly, up to 3/8" - 1-1/4" across the entire product width.

SIMPLICITY

Available with a continuous infeed conveyor system using positive high friction bottom and side drive surface guides to ensure smooth operation and lower maintenance. New motors offer high crumb ingress protection for reliable service.

SAFETY

Featuring an improved safety guard complying with CSA and OSHA regulations, a blade break detection system and a high efficiency brake motor promptly stops blades in emergencies.

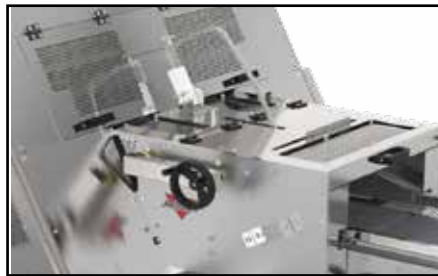


Saber 75 Band Slicer wide model
shown with Mark 75 Bread Bagger

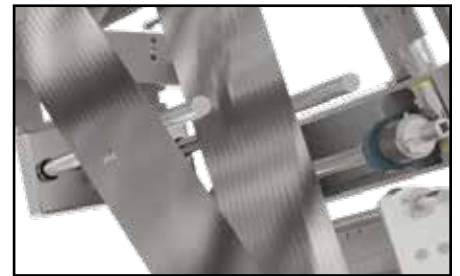
Precision slicing
up to 75 LPM

OTHER ADVANTAGES

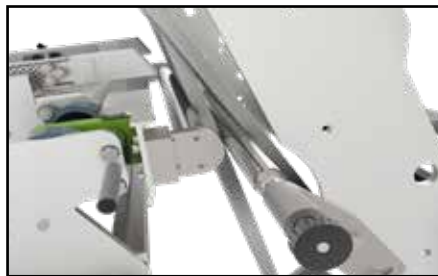
- ▼ Automatic double loaf eliminator and skip loaf devices for efficient operation
- ▼ Optional automatic hone assembly ensure blades remain sharp at all times for maximum reliability
- ▼ Chromed backing rollers maintain blade stability through slicing operation
- ▼ Optional automatic oiling system optimizes blade performance and reduces maintenance
- ▼ Safety broken blade detector bars for safe operation
- ▼ Optional crumb blower improves loaf packaging quality
- ▼ Included internal lighting kit approved for food industry applications
- ▼ Optional 7.5 HP motor, steam cleaning system and drum scrapers available for fruit or gluten-free breads
- ▼ The Saber 75 Band Slicer Wide model is available with different options to suit your product specifications



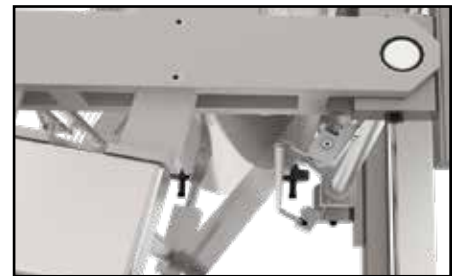
Belt Pusher Infeed Conveyor



Optional Automatic Hone Assembly



Backing Rollers



Safety Broken Blade Detector Bars

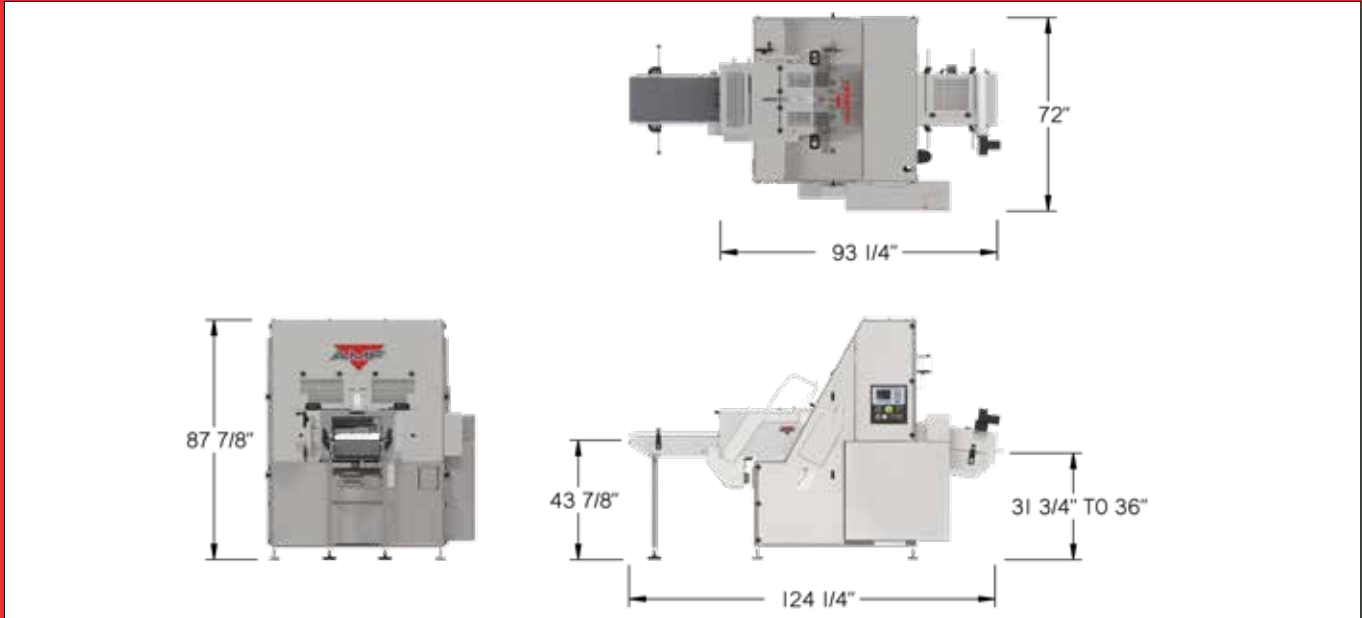


Cantilever Drum Design for Easy Blade Removal & Replacement

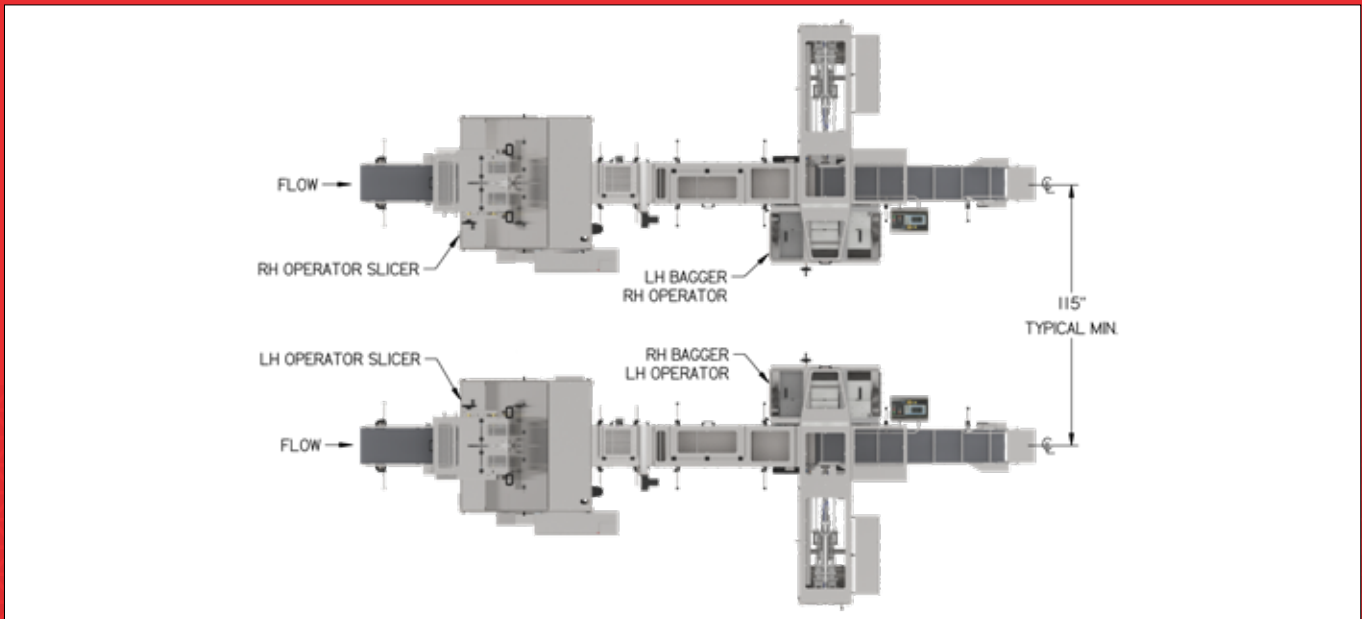


Heavy Duty Self Supporting Stainless Steel Lattice Pull-out Mechanism

DIMENSIONAL DRAWINGS



LAYOUT HANDING



AMF IS A MARTEL FOOD GROUP COMPANY

AMF's focus on continuous improvement may result in changes to machinery specifications without notice.