

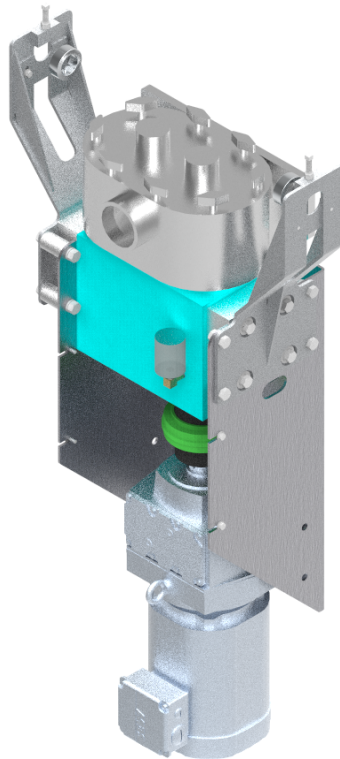


Your bakery is our world.

# #134 Waukesha Pump with Eurodrive Conversion Upgrade Kit

---

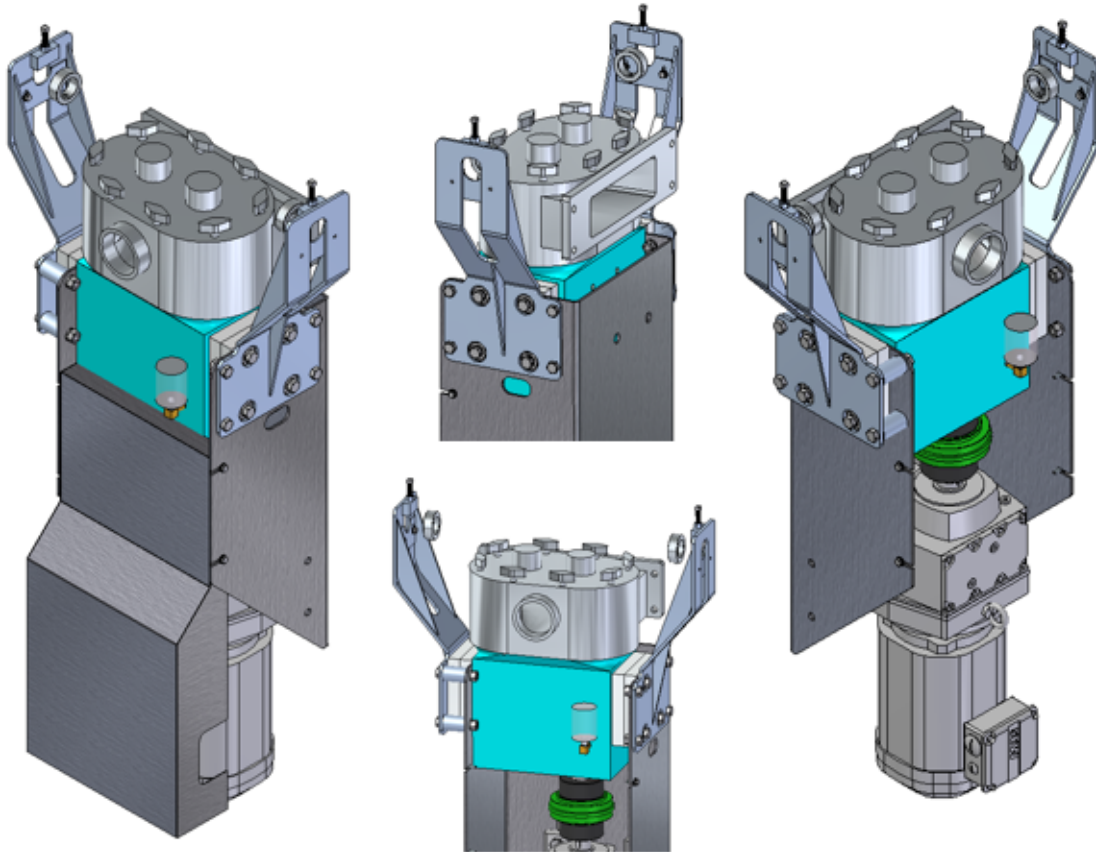
Convert early vintage ADD and KRD dividers with older #134 pumps and integrated gearboxes to new pump/gearmotor



## IMPROVE YOUR EXISTING DIVIDER WITH A NEW #134 WAUKESHA PUMP CONVERSION UPGRADE KIT

- Replaces existing #134 pump with integrated gearbox to new #134 pump with SEW-Eurodrive gearmotor
- Eliminates lead-time issues associated with the older pump and gearbox design
- Direct-replacement assembly for easy installation

## #134 Waukesha Pump Conversion Upgrade Kit



### KEY FEATURES

- Direct retrofit for early-vintage AMF ADD and KRD dividers (pre-1994)
- Separate SEW-Eurodrive can be optimally-sized for current production requirements
- Direct-replacement assembly for easy, straight-forward installation
- #134 Waukesha metering pump still industry-proven standard for overall scaling accuracy

### KIT INCLUDES

- New #134 Waukesha metering pump with 5-HP SEW-Eurodrive A.C. gearmotor
- New pump/gearmotor mount, main support brackets, spacers, and support plates
- New oil reservoir, fittings, drive coupling, cover, and retention components
- Hardware and assembly drawing also included