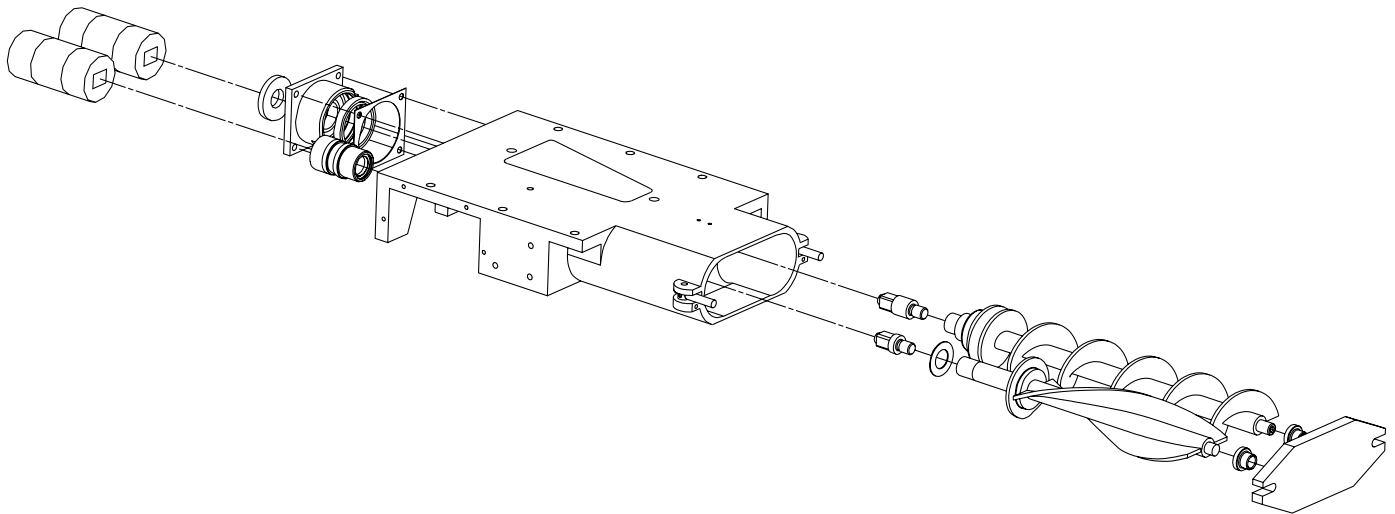




Your bakery is our world.

DoFlow Developer Paddle & Screw Conversion Kit

Prevents seal and bearing failure while greatly reducing overall maintenance of the DoFlow Unit.



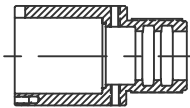
Part Number	Kit Description	Availability	Price
32524-615	DoFlow Paddle & Screw Conversion Kit	8-10 Weeks Est.	Call for Quote

SIGNIFICANTLY IMPROVES THE LIFE OF THE DOFLOW BY UPGRADING STANDARD AMF MACHINE COMPONENTS

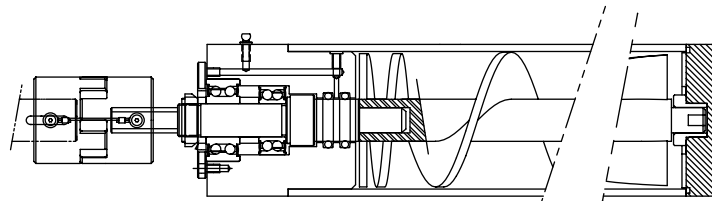
- Recommended for all AMF DoFlow or DoFlow-equipped Bun Dividers built between 2004 - 2006 which were originally supplied with Auger Assembly #43050031 and Developer Assembly #43050024 (Please contact AMF Parts for assistance)

Applications Recommended for Conversion

This kit serves to convert 2004 - 2006 DoFlow-equipped machines from alternate paddle and screw designs to current standard design. DoFlows with developer paddle assembly, screw, bearing, seal and packing glands like these shown below and others made prior to 2004-2006 will see great improvements in overall DoFlow performance by upgrading to this conversion kit.

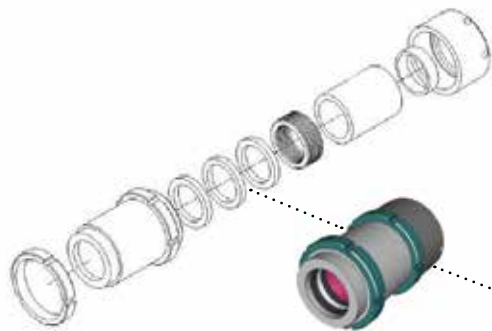


Housing, Developer Seal Part #33050-325



DoFlow Auger Seal Assembly Part #43050-031

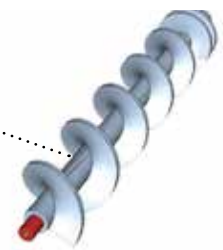
New and Improved DoFlow Conversion Kit



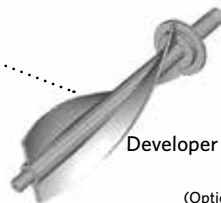
Packing Housing Assembly 2008
Part #32524-268



Feed Screw Bearing Assembly
Part #42520-010



#3724 Screw (Feed), DoFlow
Part #37220-052



Developer Paddle, Electric DoFlow Assembly
Part #37221-252

(Optional 4-Blade version also available.)

KEY FEATURES

- Stainless steel and food-grade material construction
- Helps reduce seal and bearing failures
- Eliminates costly maintenance associated with alternate designs
- Uses standard 2-blade developer paddle
- All components currently used on new DoFlow and DoFlow-equipped dividers

KIT INCLUDES

- DoFlow coupling assemblies
- Flange bearings
- Developer assembly components
(Paddle, Packing Seal Assembly, Screw Return Washer, Drive Stub Shaft)
- Feed screw assembly components
(External Seal, Dual Lip Seal, Feed Screw, Gasket, Drive (incorporator), Bearing Assembly)