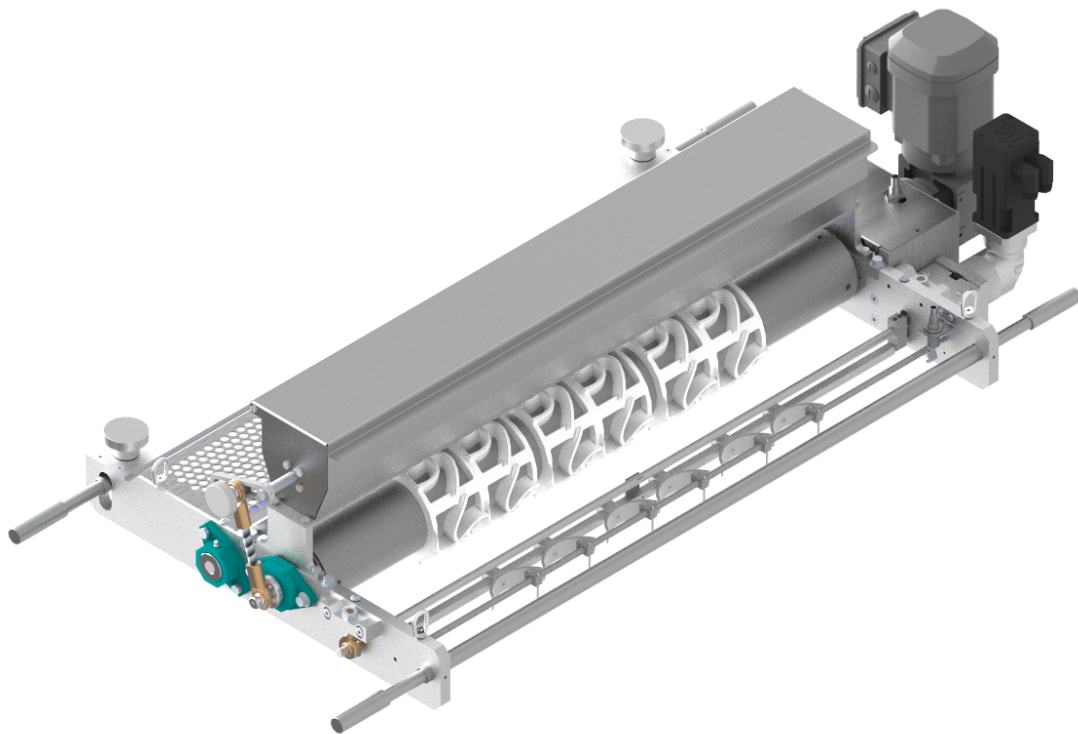




Your bakery is our world.

Dough Imprinter Kits (Registered and Random)

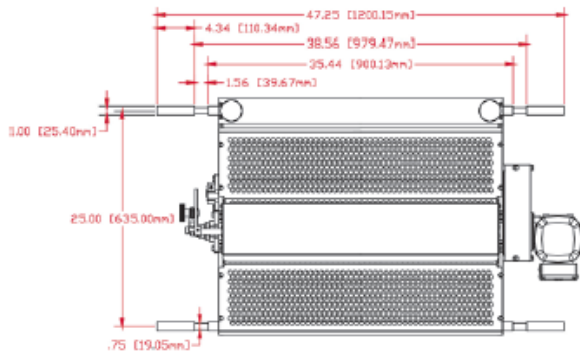
Create a variety of bun and roll impressions on bun production systems for more unique product designs



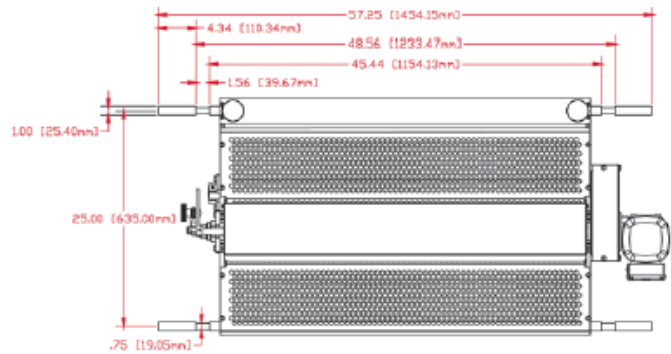
STAND OUT FROM THE COMPETITION WITH UNIQUE PRODUCTS VIA AN AMF DOUGH IMPRINTER KIT

- Heavy-duty construction for reliable bun and roll imprinting
- Easy-to-use controls with integrated flour sifter for consistent performance
- FDA-approved materials of construction for direct food-contact
- Available for multiple machine vintages/widths and configurable for varying product requirements

BUN IMPRINTER ASSEMBLY DIMENSIONS



4 ACROSS FRAME - LH OPERATOR



6/8 ACROSS FRAME - LH OPERATOR

BUN IMPRINTER SPECIFICATIONS



CUSTOM DIE PATTERNS AVAILABLE UPON REQUEST

