



Your bakery is our world.

# Magnetic Pan Indexer 'Drop-In' Kit

Built for **410-610 Pan-O-Mat Bun Systems** to improve panning efficiency while reducing pan wear and jams



- Servo-controlled indexing conveyor provides pin point panning accuracy
- Easy-to-program and stores up to 99 pan profiles
- Easy installation into existing framework with no modifications
- Clutchless, smooth, continuous motion

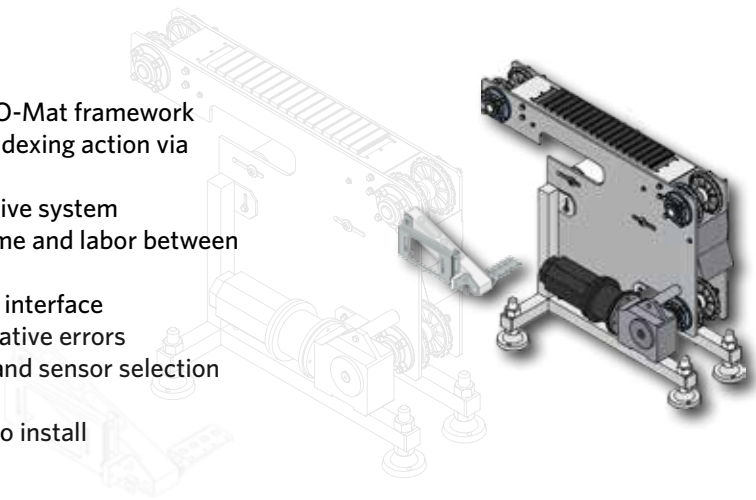
## MAGNETIC PAN INDEXER KIT

This kit is designed to replace existing mechanical pan indexing assemblies on an AMF 410 or 610 Pan-O-Mat with a smooth magnetic pan indexing system. The pan indexing section is one of the most critical areas of a bun make-up system. A poor performing pan indexer will result in tremendous product loss.

This new magnetic pan indexer will significantly improve the performance on any bun line that is currently using a mechanical pan indexer. This performance improvement will result in reduced product loss and increased yield.

### FEATURES AND BENEFITS

- Convenient mounting inside existing 410, 610 Pan-O-Mat framework
- Patented continuous motion that provides gentle indexing action via synchronized magnetic conveyor
- Unmatched performance from the precise servo-drive system
- Operates without pan stop assemblies, reducing time and labor between product changeovers
- Complete system diagnostics through the operator interface
- Controller resets after each pan to eliminate cumulative errors
- Box enclosure to house the operator interface, jog and sensor selection
- Operator interface stores up to 30 pan profiles
- All electricals come prewired and mounted, ready to install



### 410-610 PAN-O-MAT MAGNETIC PAN INDEXER KIT

- Free standing indexer with articulated feet
- Intralox® rubber top conveyor matting for slip-free product depositing
- PanelView® interface
- Stainless steel enclosure to house operator interface
- Pan 'edge' proximity switch with swivel mount
- Pan 'detection' proximity sensor
- 'Pan gap' detection photoeye
- Intermediate proofer proximity switch
- Premounted SEW® gearbox and coupling
- Premounted servo motor
- Allen-Bradley servo amplifier
- Stainless steel electrical enclosure with premounted electricals
- Electrical documentation



PanelView Plus Touchscreen/Keypad  
Operator Interface



Swivel Mount For  
Pan Proximity Switch



Stainless Steel Electrical  
Enclosure



Intralox® Belt Drive



Servo Motor &  
SEW® Gearbox



Pan, Proofer Prox(s) &  
Photoeye

# Improve Panning Efficiency