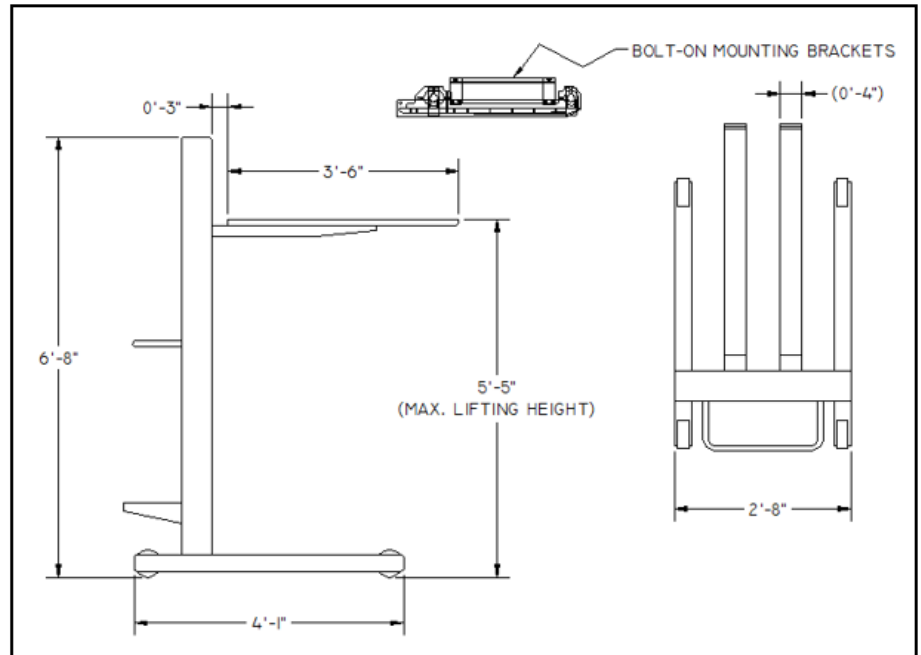
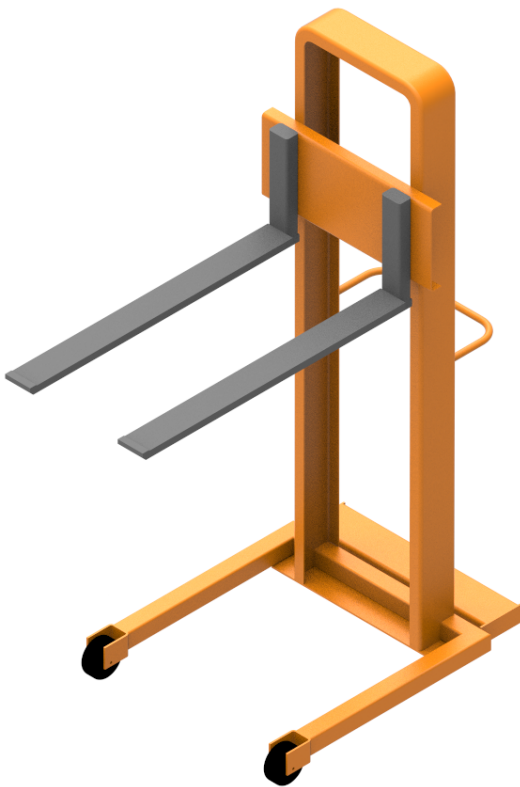




Your bakery is our world.

Moulder Board Hoist / Lift Upgrade Kit

Address safety concerns and reduce change-over time



ADDRESS SAFETY AND REDUCE CHANGE-OVER TIME WITH A NEW MOULDER BOARD HOIST / LIFT UPGRADE

- Compatible with multiple bun system vintages in 4, 6, and 8-across configurations
- Utilizes foot-operated portable hoist with adjustable forks
- Configurable for single or multiple AMF moulder boards; bolt-on components provided with lift
- Alternate style lifting options available upon request