

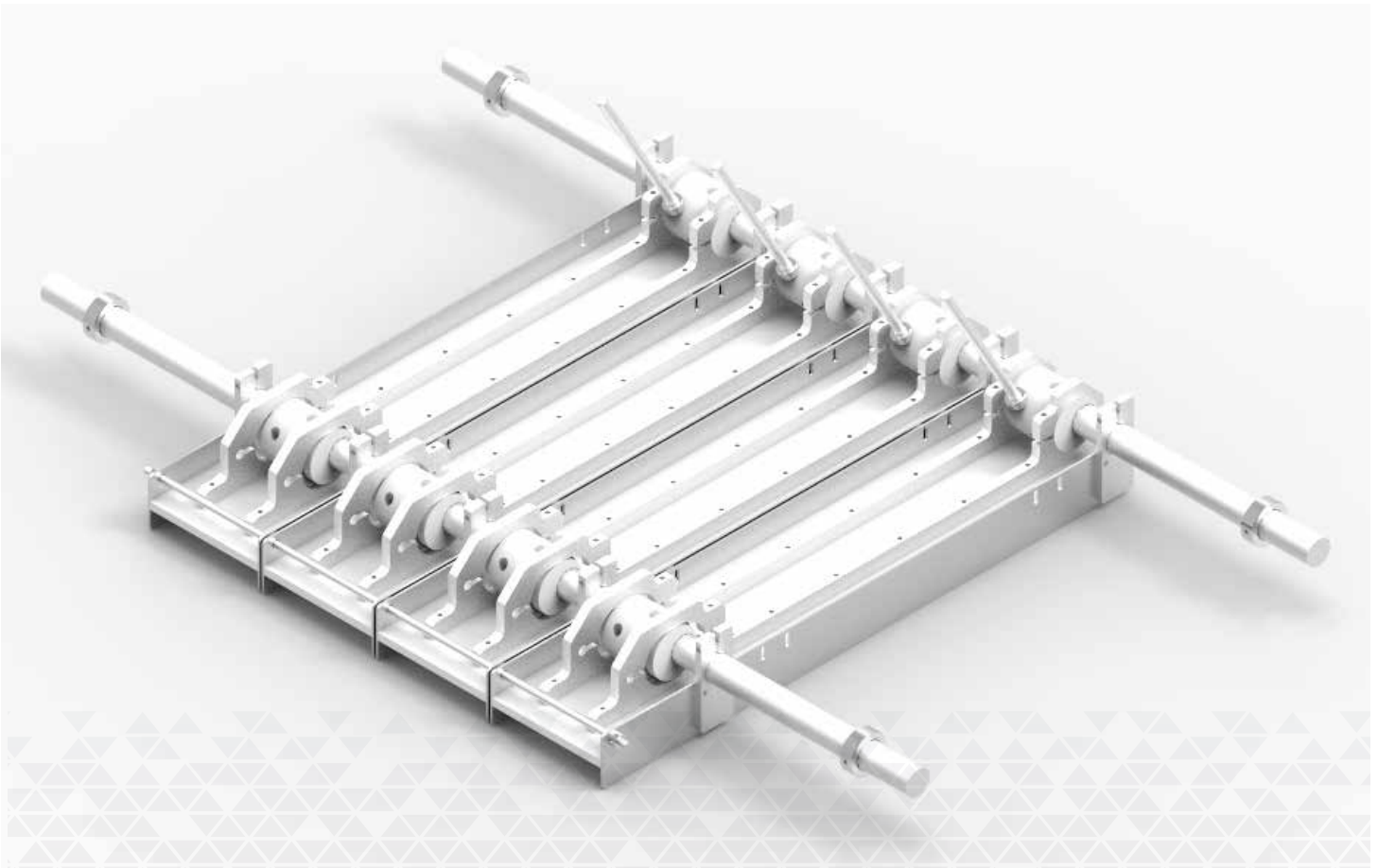


Your bakery is our world.

# Moulder Board Assembly Upgrade Kit

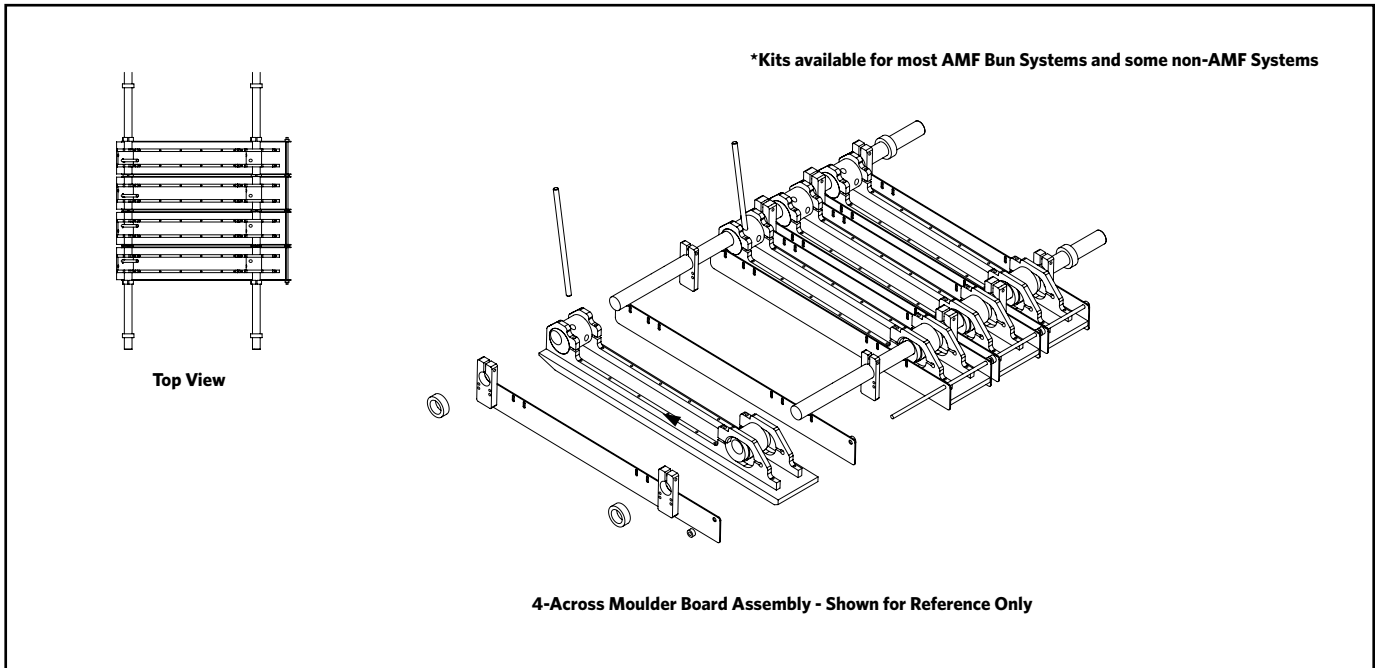
---

Improve the quality of your moulded roll products with better product travel and reduced sticking



- Robust construction from materials approved for direct food contact
- Herringbone design applied to UHMW plastic boards improves product travel and reduces sticking
- Easily adjustable Eccentric Cam System for precision piece sizing
- Flexible design configuration for use on many types of bun systems
- Quick and easy sanitation

## Moulder Board Assembly Upgrade Kit



### EACH KIT INCLUDES

- One moulder board assembly (sized per desired width configuration)
- Adjusting wands (one per lane)
- Universal mounting brackets with locking pins and mounting hardware (optional upcharge)

### INSTALLATION

- Quick installation
- No cutting or welding required
- Installation and product setup available by AMF Service Technician (additional cost)

### ORDERING INFORMATION

When ordering, the following information will be required:

- Specify type of machine (ie. Pan-O-Mat, POM-Plus, ABS, Accupan, etc)
- Centerline distance between cups (based on pan to be used)
- Desired end-to-end width of moulded product

