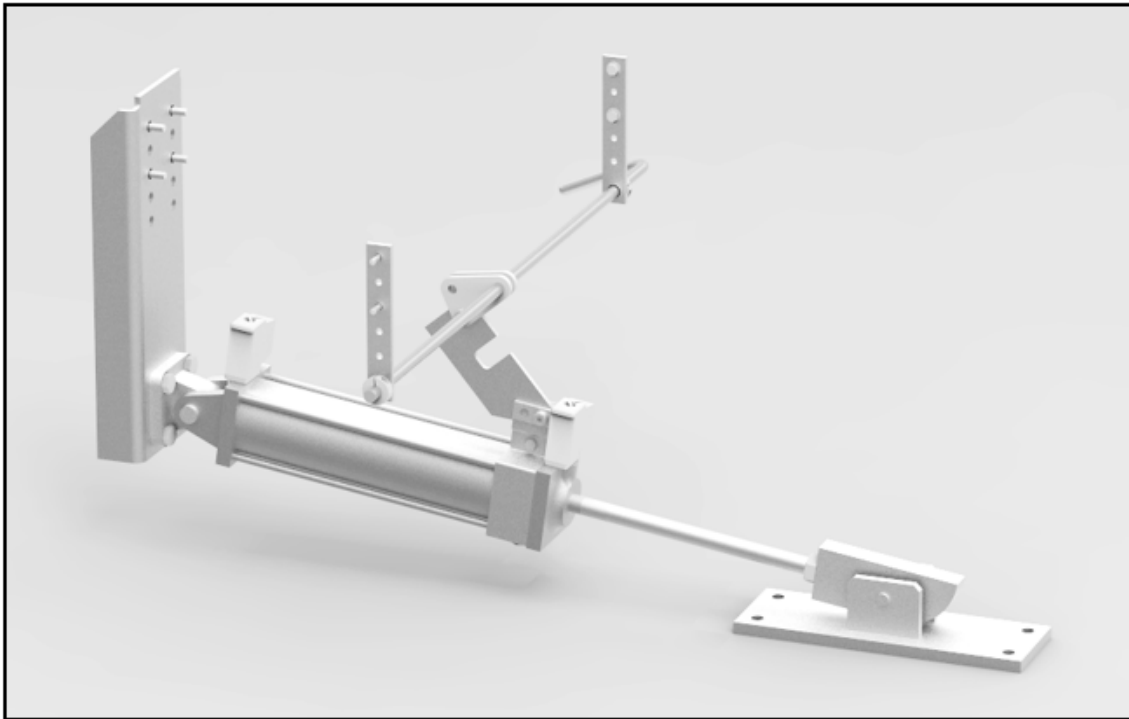




Your bakery is our world.

Pushback Upgrade Kit for SBD, HBD, & ADD Dividers

Automate movement of divider for ease of operation
and injury-prevention



IMPROVE DIVIDER OPERATION AND SAFETY WITH A NEW PUSHBACK UPGRADE KIT

- Provides 10" of movement with ability to unattach for further manual positioning
- Includes cylinder, pneumatics, brackets, hardware, and related parts
- Electrical program modification and installation drawing/schematic provided with kit
- Ties into existing divider pneumatic air supply