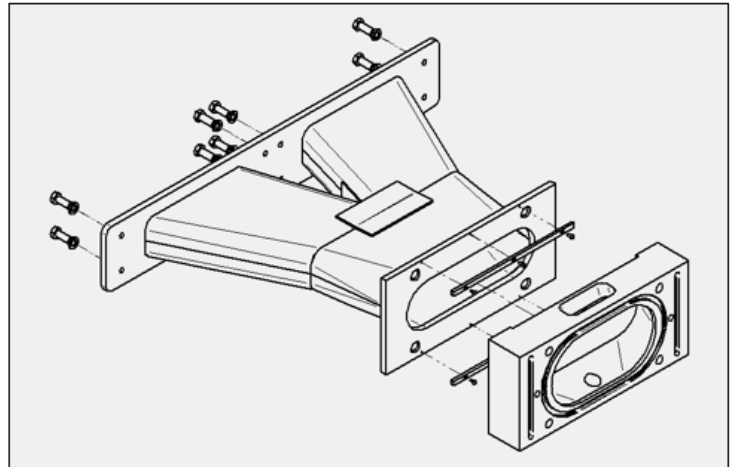
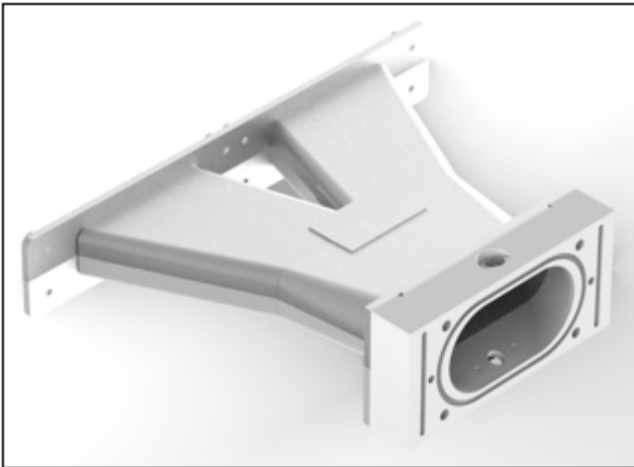




Your bakery is our world.

ADD-Dual Stainless Steel Manifold Upgrade Kit

Replace your existing ADD-Dual poly-manifold with a stainless steel version for improved sanitation and containment



IMPROVE SANITATION AND CONTAINMENT WITH A NEW ADD-MMP STAINLESS MANIFOLD UPGRADE

- Direct retrofit for dual-channel poly-manifold with heavy-duty design to withstand higher pressures
- Includes new manifold, transition block, retention bars, O-ring material, transducer mount, and screws
- No electrical modifications necessary (other than relocation of existing transducer)
- All materials constructed from FDA-approved materials for food-contact