

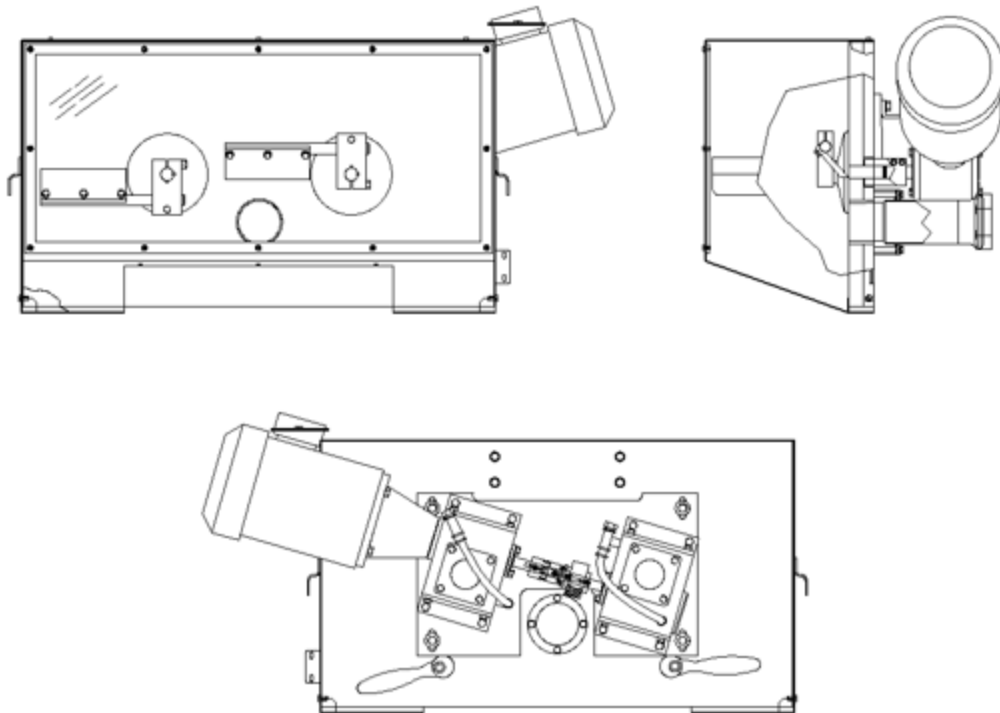


Your bakery is our world.

# ADD Dual Cutoff Conversion Upgrade Kit

---

Convert your existing single-cutoff ADD to dual-cutoff production for increased rates and alternate layouts



## ADDRESS PRODUCTION AND LAYOUT NEEDS WITH A NEW ADD DUAL-CUTOFF UPGRADE

- Direct retrofit for existing AMF ADD bread dividers currently equipped with single cutoffs
- Includes fully-assembled main cutoff head, two knife assemblies, gear reducers, and 2-HP motor
- No electrical components necessary (other than minor change to ADD program)
- May necessitate changes to downstream equipment such as rounder and flouring belt