

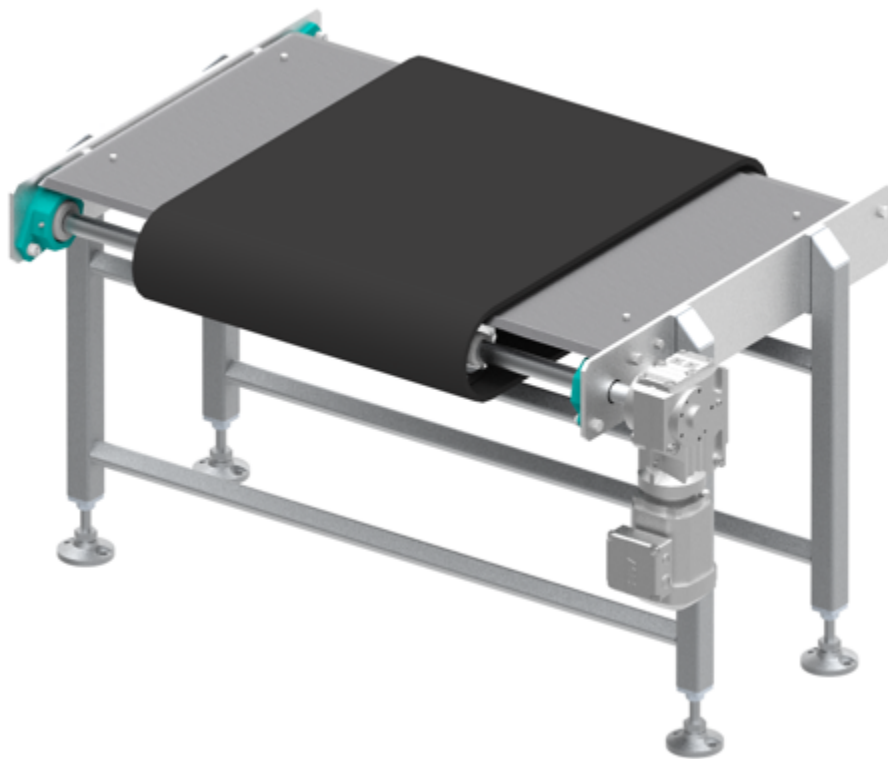


Your bakery is our world.

# Magnetic Pan Pre-Indexer Upgrade Kit

---

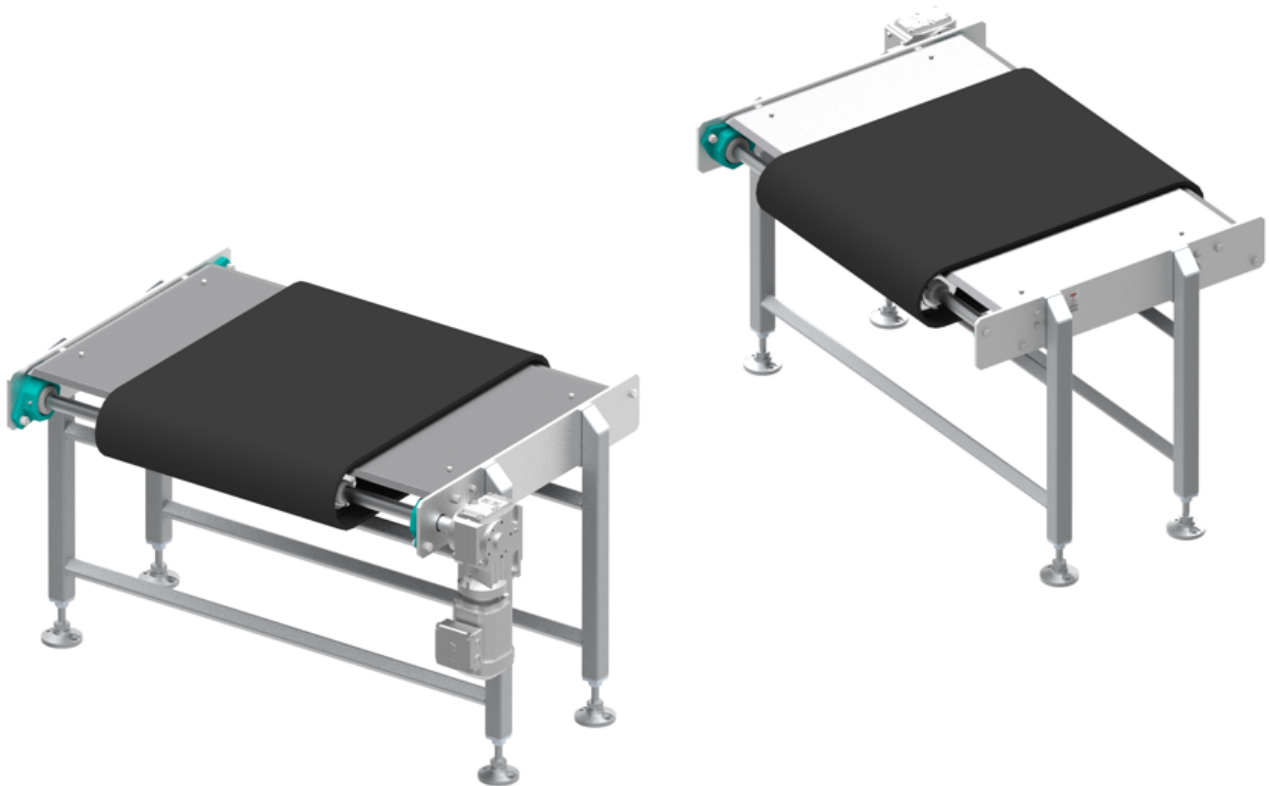
Improve panning performance on existing bun lines with magnetic pan indexers



## IMPROVE YOUR EXISTING BUN LINE WITH A NEW MAGNETIC PAN PRE-INDEXER UPGRADE KIT

- Improves panning performance by reducing pan back pressure feeding magnetic pan indexer
- Smooth stop-start operation via SEW-Eurodrive gearmotor and permanent magnet rail
- Available for 4, 6, and 8-across machine widths for various machine design vintages

## Magnetic Pan Pre-Indexer Upgrade Kit



### KEY FEATURES

- Compatible with multiple AMF (and non-AMF) machine design vintages
- Available for 4, 6, and 8-across widths
- FDA-approved materials of construction for direct food-contact
- Straight-forward installation

---

### KIT INCLUDES

- 3-Foot long self-standing magnetic pan conveyor
  - Stainless steel and aluminum construction with Intralox rubber-top belting
  - Low-maintenance heavy-duty bearings and main shafts for extended life-span
  - New motor inverter, protector, prox sensors, and cable (for field integration)
- 