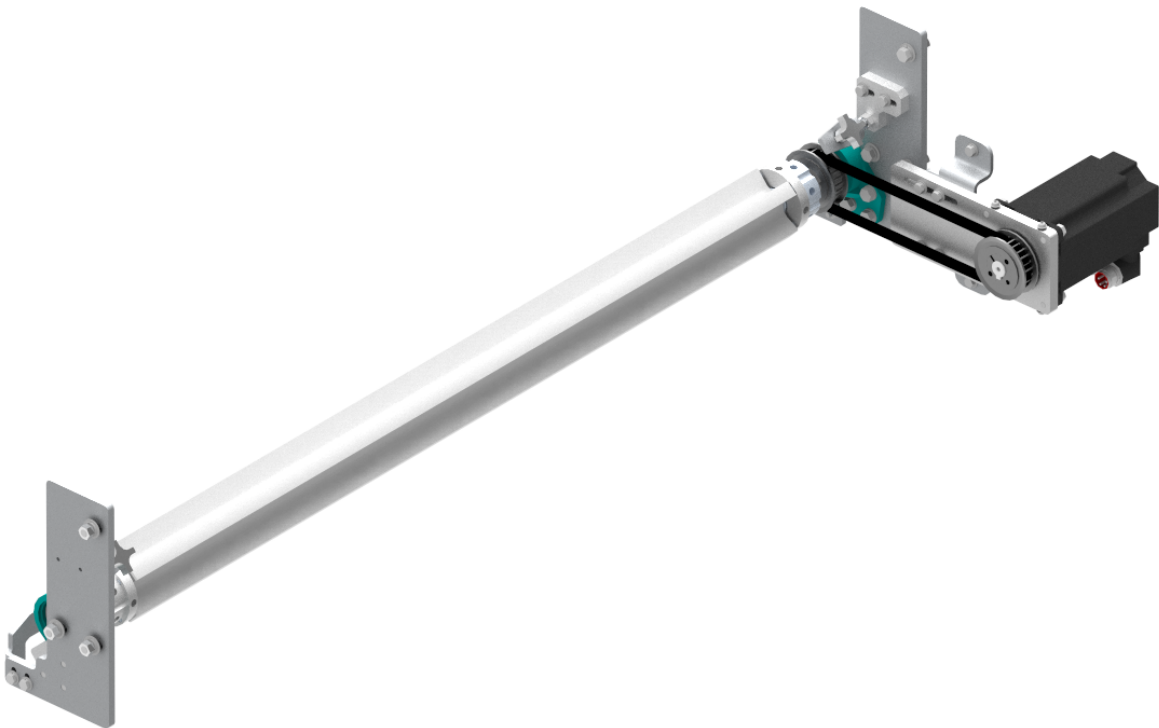




Your bakery is our world.

Servo Rotary Hot Dog Gate Upgrade Kit

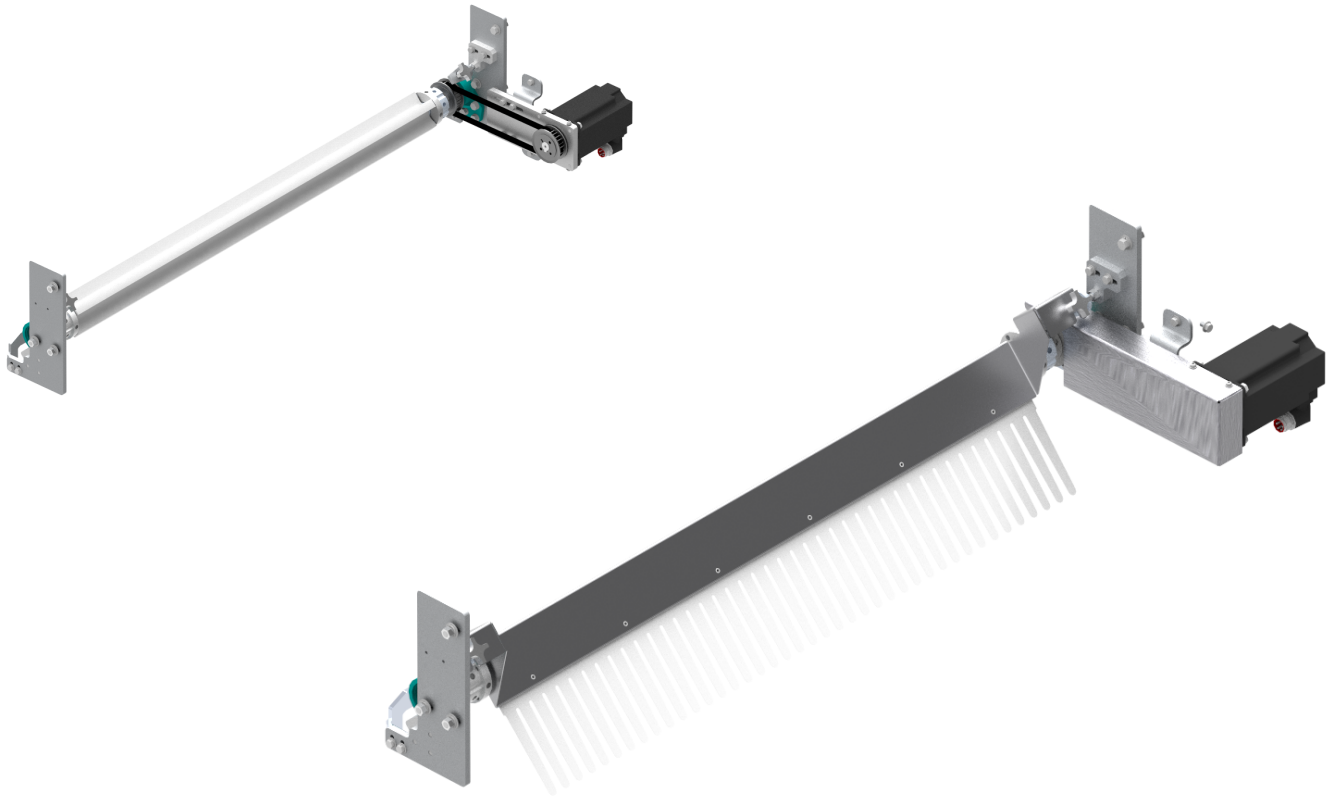
Improve panning accuracy, reduce product cripples, and reduce air consumption on AMF bun lines



IMPROVE YOUR EXISTING BUN LINE WITH A NEW SERVO ROTARY HOT DOG GATE UPGRADE KIT

- Save time and money via improved panning accuracy and reduction in dough waste
- Reduces overall machine air consumption and lowers noise levels in the operating area
- Available for 4, 6, and 8-across machine widths for various machine design vintages

Servo Rotary Hot Dog Gate Upgrade Kit



KEY FEATURES

- Designed for multiple AMF machine design vintages
- Available for 4, 6, and 8-across widths
- FDA-approved materials of construction for direct food-contact
- Straight-forward installation

KIT INCLUDES

- New solid-machined plastic rotary gate, shafts, bearings, mounts, and brackets
- Rotary gate easily converts from use for hamburger to hot dog production
- Removable hamburger chute with Mylar panning fingers
- Stand-alone electricals with operator interface, enclosure, and servo drive components

