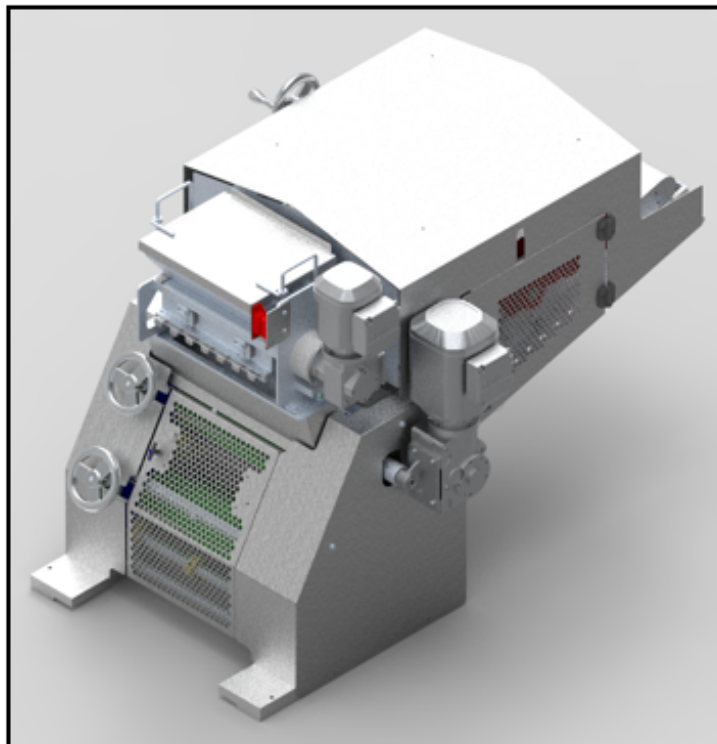




Your bakery is our world.

Sheeter Head Assembly Upgrade (for Breadline Moulders)

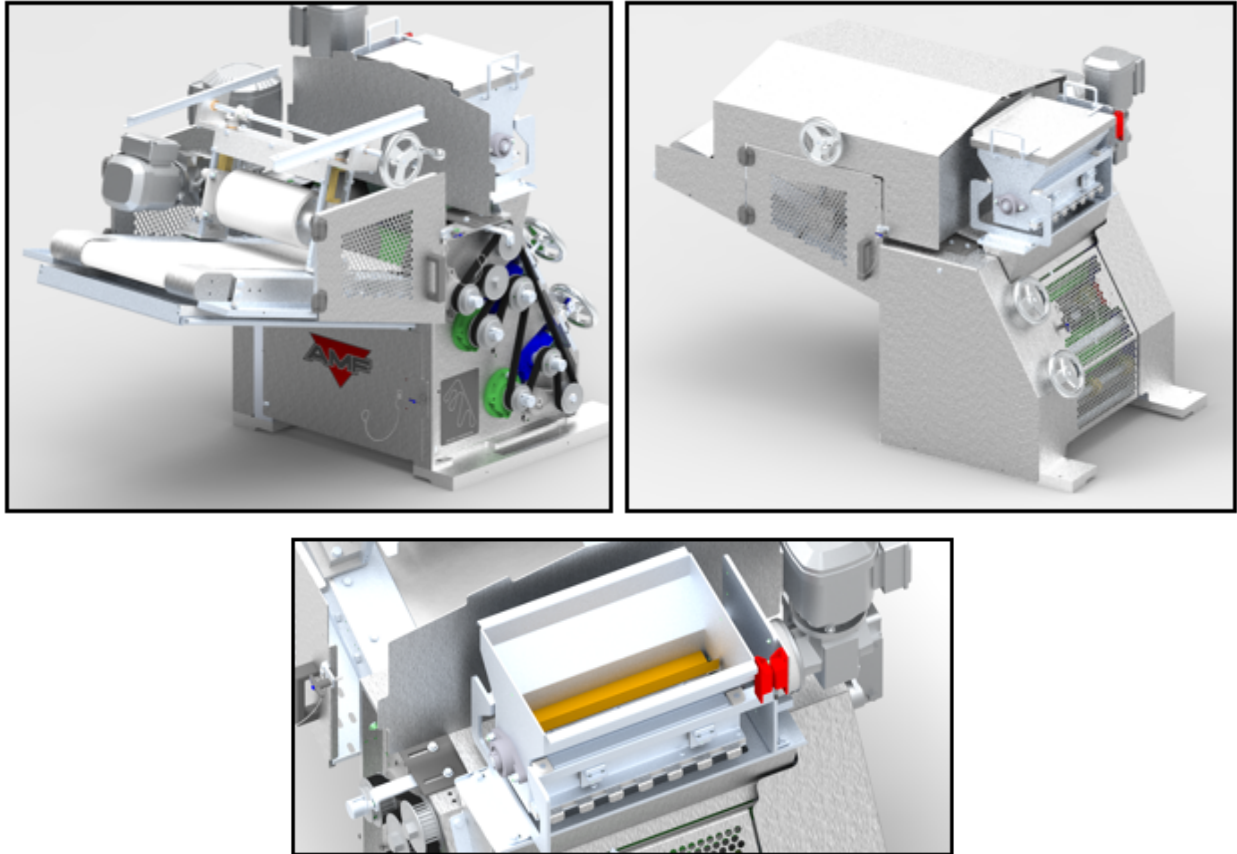
Improve or incorporate sheeting performance on existing breadline moulders



IMPROVE SHEETING PERFORMANCE WITH A NEW AMF SHEETER HEAD ASSEMBLY UPGRADE

- Compatible with AMF and some non-AMF breadline moulder-panner lines
- Non-stick rollers and scrapers combined with integrated flour duster for optimum performance
- Improve product quality with reduced dough waste
- Increased productivity with less downtime and maintenance needs

Sheeter Head Assembly Upgrade



KEY FEATURES

- Non-stick rollers and scrapers with integrated flour duster
- Slanted infeed conveyor with dough guides and flattener roller
- Adjustable sheeter rollers with AC gearmotor and serpentine drive
- Full guarding with ready-to-wire switches

KIT INCLUDES

- New complete dual sheeter roller assembly
- Food-grade rollers and Teflon-coated scrapers
- Rotary-style flour duster, stainless and aluminum overall construction
- Mechanicals-only assembly; optional controls package available upon request