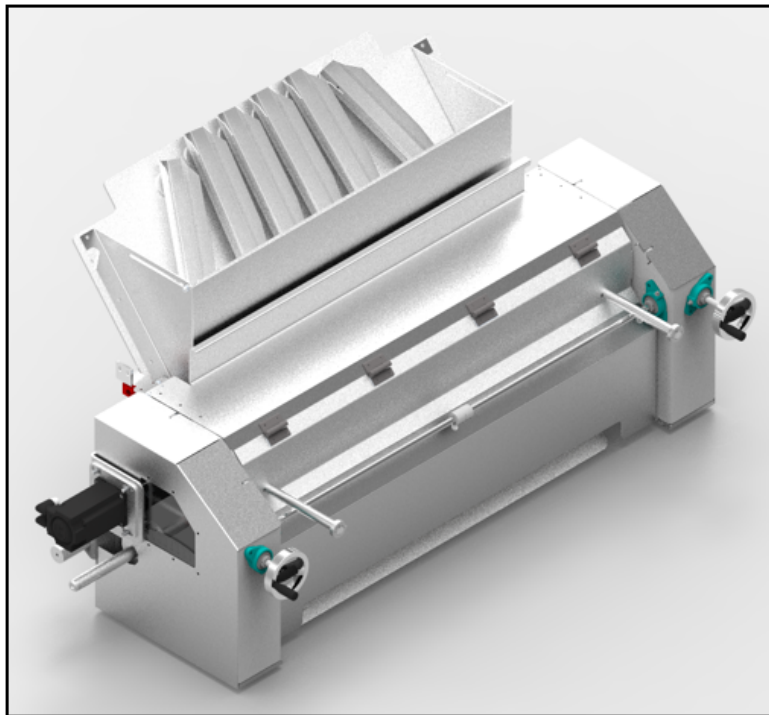




Your bakery is our world.

Replacement Sheeter Assembly with Servo Rotary Gate

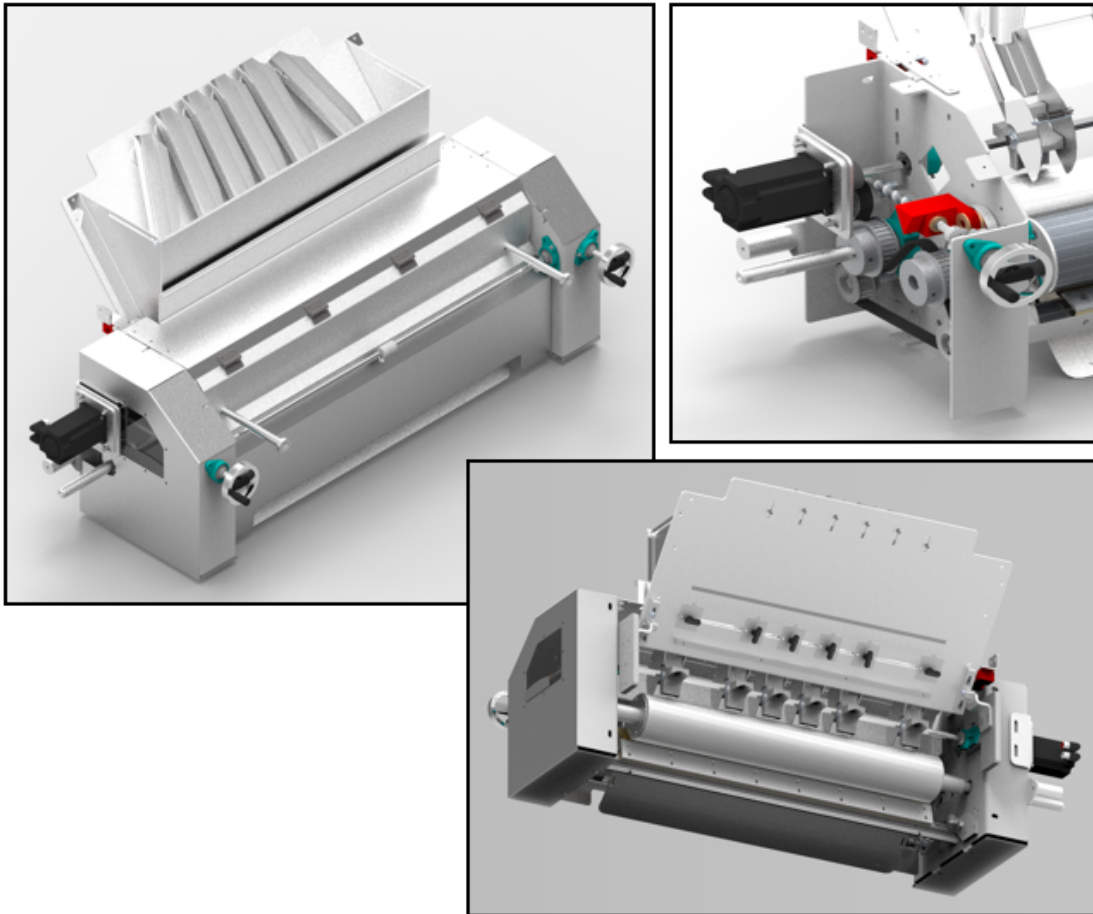
Improve sheeting alignment, reduce product cripples,
and reduce air consumption on AMF bun lines



IMPROVE YOUR EXISTING BUN LINE WITH A REPLACEMENT SHEETER WITH SERVO ROTARY GATE

- Save time and money via improved sheeting alignment and reduction in dough waste
- Reduces overall machine air consumption and lowers noise levels in the operating area
- Available for 4, 6, and 8-across machine widths for late-model Accupans

Replacement Sheeter with Servo Rotary Gate



KEY FEATURES

- Designed for AMF late-model Accupans
- Available for 4, 6, and 8-across widths
- FDA-approved materials of construction for direct food-contact
- Straight-forward installation

KIT INCLUDES

- Full sheeter head assembly with new rollers, scrapers, etc.
- Servo-driven rotary gate with adjustable lanes
- New smooth-sleeved FDA-plastic roller included; re-uses existing sheeter gearmotor
- Stand-alone electricals with operator interface, enclosure, and servo drive components