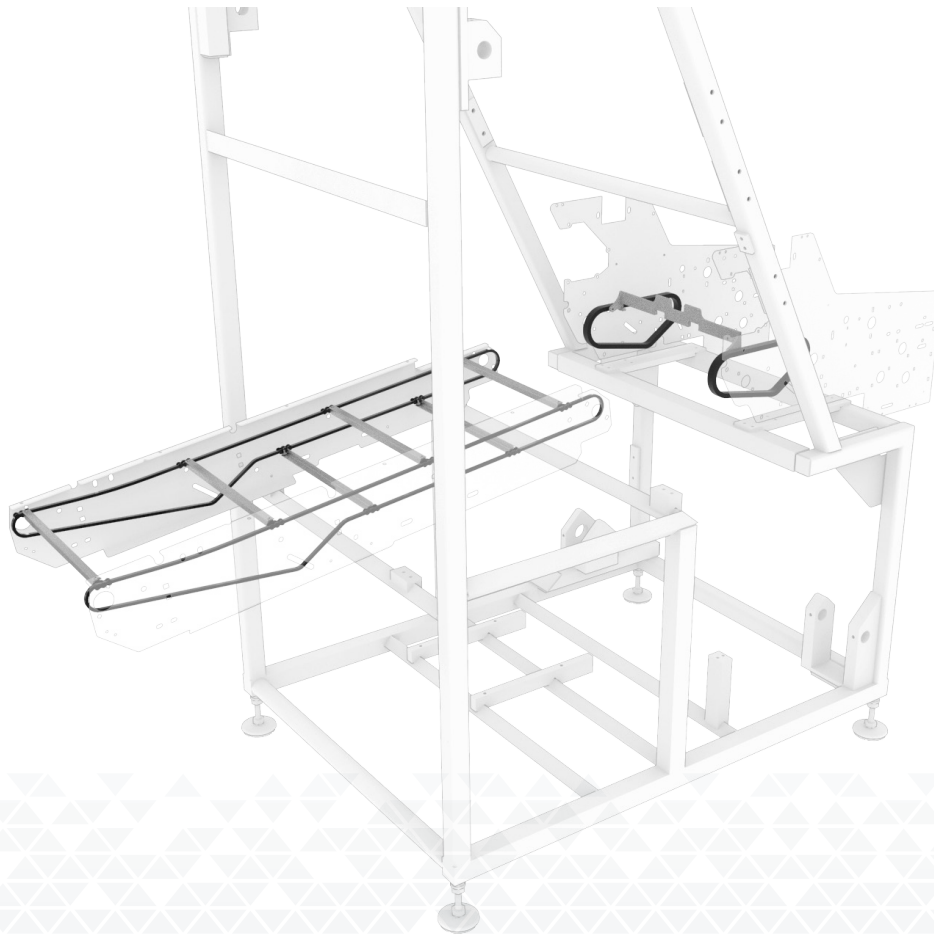


Slicer Pre-assembled Chain Kit

Reduced down time with pre-assembled infeed and discharge chains and flights replacement kits.



- Complete pre-assembled chains and flight kits with proper chain length and number of flights that suit your machine.
- Reduced maintenance downtime, easy chain replacement under one single part number.
- Available for all Saber 60 and 75 Slicers.
- When order is placed, have pictures showing specific views of related conveyor and your Slicer serial number is required.